

0504

Figure 5-1 Front Axle and Steering (Mower Hanger)

Item	Part Number	Description	82-11BP01	
			82-08BP01	
Figure 5-1 FRONT AXLE AND STEERING (Mower Hanger)				
1	106199	Axle-Front	1	1
2	1030	Grease Fitting	3	3
3	1481	Grease Fitting	1	1
4	106305	Spacer-Axle	1	1
5	106280	Plate-Front Axle	1	1
6	106302	Assy-Front Spdl RH	1	1
7	106303	Assy-Front Spdl LH	1	1
8	104822	Retaining Ring 3/4	2	2
9	6396	Support	1	1
10	6397	Bushing	1	1
11	908033	Bolt 3/8-16 X 7/8	2	2
12	915113	Esllok Nut 3/8-16	2	2
13	106310	Assy-Strg Shft Lower	1	1
14	5210	Shim Washer .015	1	1
15	1278	Shim Washer .050	1	1
16	932035	Cotter Pin 3/16 X 1 1/4	1	1
17	1772	Ball Joint Assy RH	1	1
18	1773	Ball Joint Assy LH	1	1
19	915002	Esllok Nut 3/8-24	4	4
20	106281	Support-Front Axle	1	1
21	106296	Front Hanger (Mower)	1	1
22	106286	Bushing	1	1
23	106311	Assy-Strg Shft-Upper	1	1
24	909848	Cup Pt Set Screw 1/4-20 X 1/4	1	1
25	1085	Shaft Collar	1	1
26	101442	Bushing	1	1
27	106055	Steering Wheel	1	1
28	920011	Washer 1/2 SAE	1	1
29	933221	Spirol Pin 1/4 X 2	1	1
30	106373	Collar	1	1
31	7896	Bowed Washer	1	1
32	911424	Bolt 3/8-16 X 2 Full Thread	1	1
33	915113	Nut 3/8-16	1	1
34	908071	Bolt 1/2-13 X 5	1	1
35	915115	Esllok Nut 1/2-13	1	1

SECTION 6 - BRAKE AND CLUTCH LINKAGE

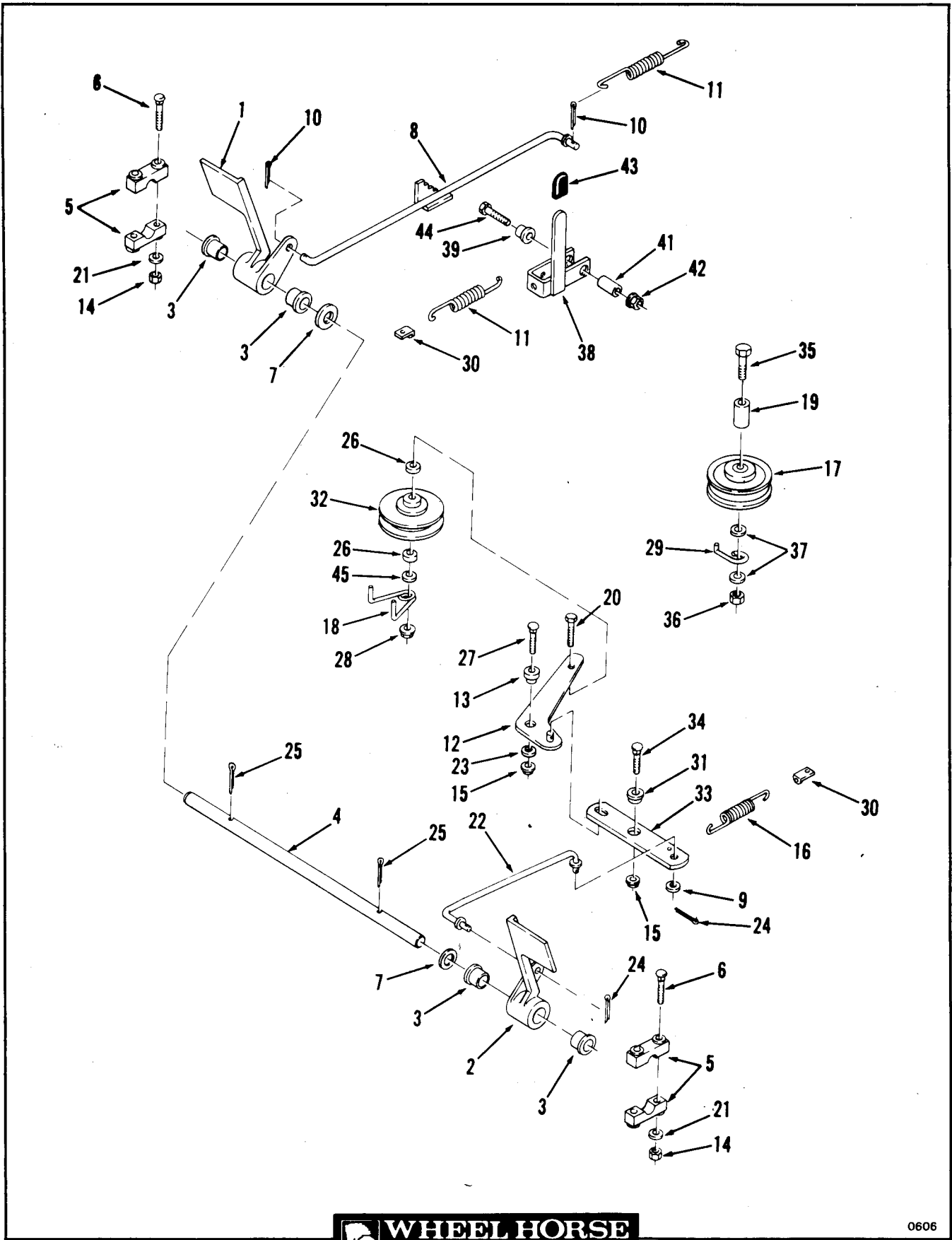
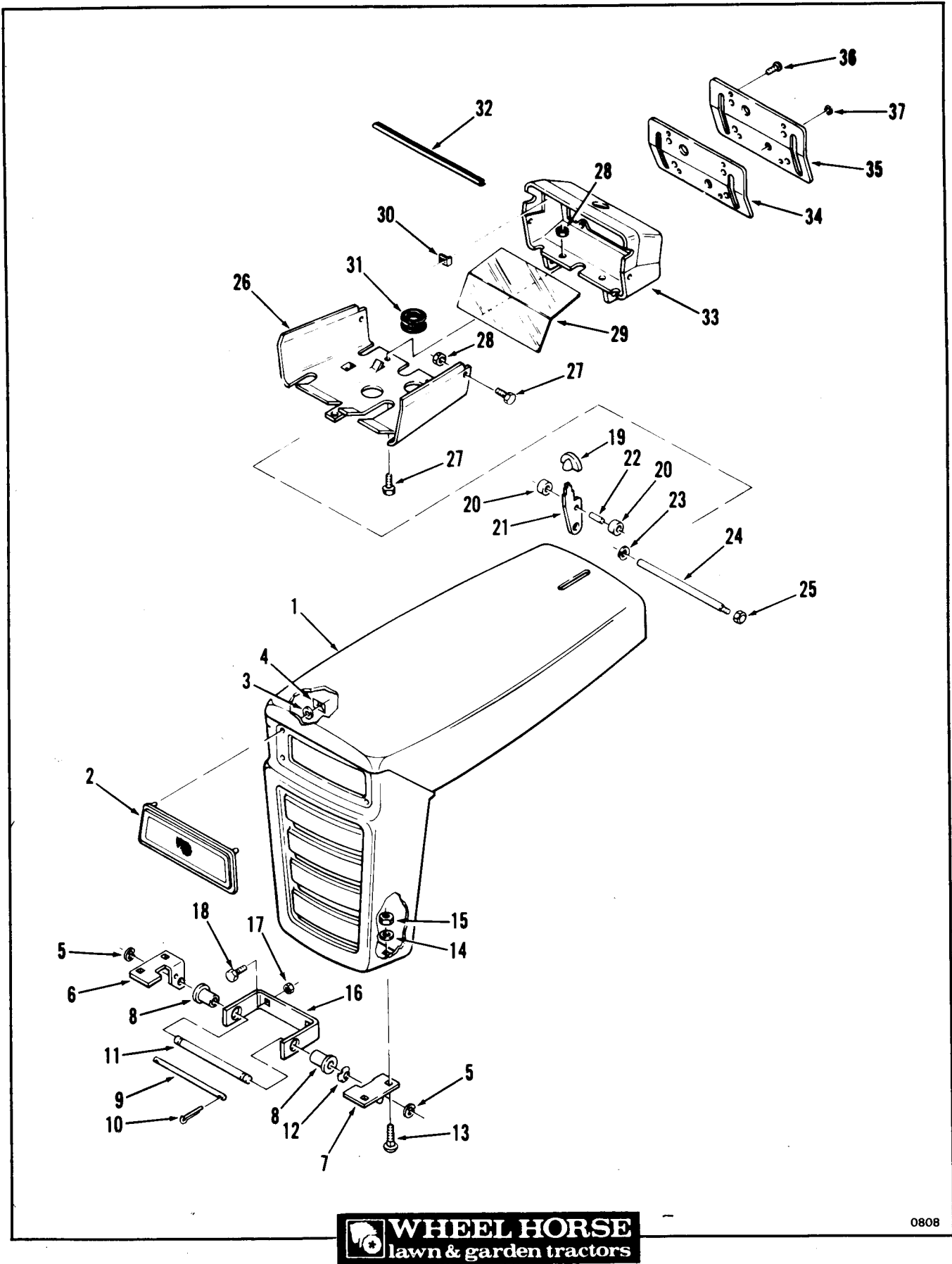


Figure 6-1 Brake and Clutch Linkage

SECTION 6 - BRAKE AND CLUTCH LINKAGE

5

Item	Part Number	Description	82-11BP01	
			82-08BP01	
		Figure 6-1 BRAKE AND CLUTCH LINKAGE		
1	106728	Pedal-Brake (Includes Item 3)	1	1
2	106729	Pedal-Clutch (Includes Item 3)	1	1
3	106489	Bushing	4	4
4	106306	Shaft-Pedal	1	1
5	106585	Block Pivot	4	4
6	900041	Carriage Bolt 5/16-18 X 1 3/4	4	4
7	920215	Special Washer	2	2
8	106313	Assy-Brake Rod	1	1
9	920247	Nylon Washer 5/16	1	1
10	932016	Cotter Pin 1/8 X 3/4	2	2
11	103628	Spring	2	2
12	106304	Assy-Idler Arm	1	1
13	106203	Spacer-Idler Arm	1	1
14	915112	Eslok Nut 5/16-18	4	4
15	102809	Flange Locknut 3/8-16	2	2
16	1129	Clutch Spring	1	1
17	8205	"V" Idler Pulley	1	1
18	104351	Belt Guide-Flat Idler	1	1
19	106756	Spacer-"V" Idler	1	1
20	908038	Bolt 3/8-16 X 2	1	1
21	920008	Washer 5/16 SAE	4	4
22	106202	Rod-Clutch	1	1
23	920249	Special Washer	1	1
24	932016	Cotter Pin 1/8 X 3/4	2	2
25	932025	Cotter Pin 5/32 X 1	2	2
26	104525	Spacer-Flat Idler	2	2
27	900066	Carriage Bolt 3/8-16 X 1 3/4	1	1
28	102809	Flange Locknut 3/8-16	1	1
29	103408	Belt Guide-"V" Idler	1	1
30	2534	Clip-Clutch & P. Brake Springs	2	2
31	9475	Spacer-Clutch Bar	1	1
32	MW8821	Fiat Idler Pulley	1	1
33	106382	Bar-Clutch	1	1
34	900064	Carriage Bolt 3/8-16 X 1 1/4	1	1
35	908138	Bolt 3/8-16 X 3 1/4	1	1
36	915113	Eslok Nut 3/8-16	1	1
37	920039	Washer 3/8 U.S.	2	2
38	106300	Parking Brake Lever	1	1
39	101765	Flange Bushing	1	1
41	102025	Spacer-Parking Brake	1	1
42	102809	Flange Locknut 3/8-16	1	1
43	6820	Grip	1	1
44	908038	Bolt 3/8-16 X 2	1	1
45	920009	Washer 3/8 SAE	1	1



0808

Figure 8-1 Frame, Sheet Metal and Covers

Item	Part Number	Description	82-11BP01	
			82-08BP01	
		Figure 8-1		
		FRAME, SHEET METAL AND COVERS		
1	9699	Assy-Hood	1	1
2	7416	Escutcheon Plate	1	
3	100646	Rubber Washer	4	
4	7721	Speed Nut	4	
5	105797	"E" Ring	2	2
6	9766	Bracket-Grille Pivot RH	1	1
7	9767	Bracket-Grille Pivot LH	1	1
8	5979	Nyliner Bushing	2	2
9	9707	Rod-Pivot Stop	1	1
10	932000	Cotter Pin 1/16 X 1/2	2	2
11	101452	Rod-Grille Pivot	1	1
12	106553	Spring Washer-Hood Grounding	1	1
13	900037	Carriage Bolt 5/16-18 X 3/4	4	4
14	920008	Washer 5/16 SAE	2	2
15	915112	Eslok Nut 5/16-18	4	4
16	106282	Bracket-Hood Pivot	1	1
17	915112	Eslok Nut 5/16-18	2	2
18	900036	Carriage Bolt 5/16-18 X 5/8	2	2
19	5469	Knob	1	1
20	5468	Hood Roller	2	2
21	5467	Lever-Hood Latch	1	1
22	933182	Spirol Pin 3/16 X 5/8	1	1
23	5466	Speed Nut	2	2
24	5522	Rod-Latch	1	1
25	915932	High Crown Nut #10-24	2	2
26	104108	Support-Tank	1	1
27	960152	Whizlock Bolt 1/4-20 X 5/8	4	4
28	915111	Eslok Nut 1/4-20	4	4
29	101446	Control Protector	1	1
30	5442	Speed Nut	4	4
31	101971	Grommet	1	1
32	106556	Edge Trim	1	1
33	5450	Housing-Control Panel	1	1
34	101841	Back Up Plate	1	1
35	106134	Plate-Dash Panel	1	1
36	102168	Screw-Black #10-16 X 3/4	4	4
37	104868	Plug Button	1	

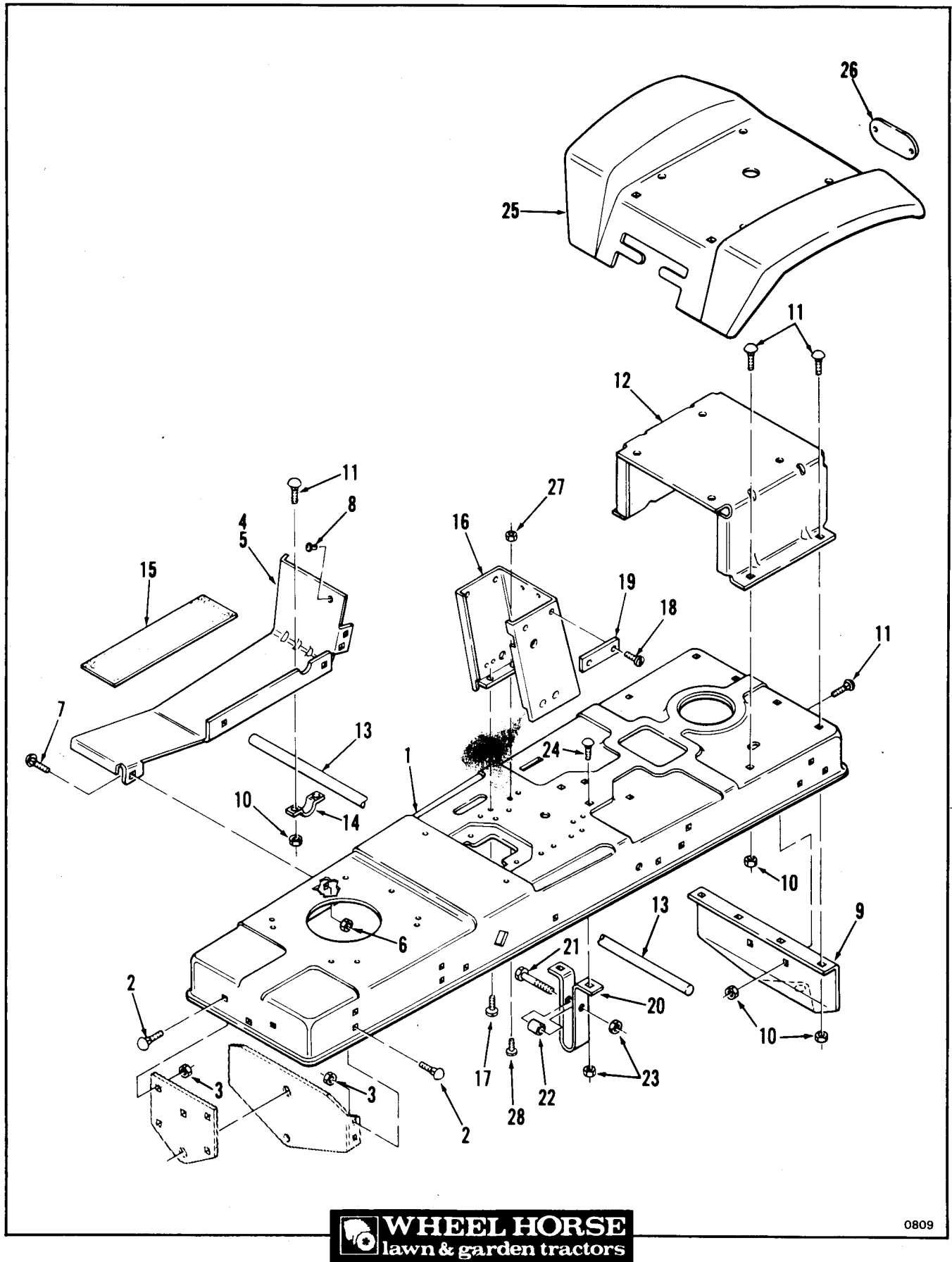
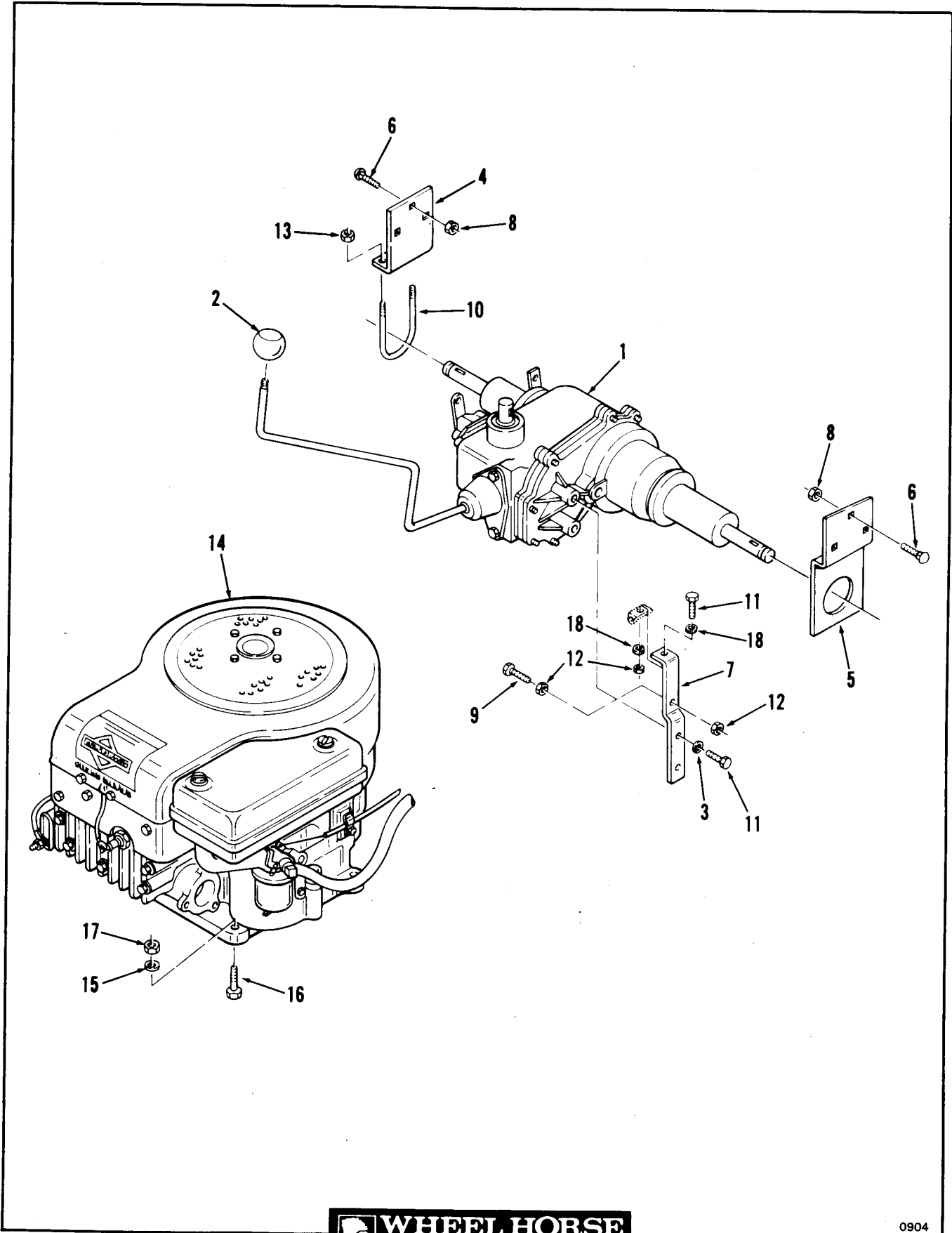


Figure 8-2 Frame, Sheet Metal and Covers

Item	Part Number	Description	82-11BP01	
			82-08BP01	
Figure 8-2 FRAME, SHEET METAL AND COVERS				
1	106198	Frame	1	1
2	900036	Carriage Bolt 5/16-18 X 5/8	7	7
3	915112	Eslok Nut 5/16-18	7	7
4	106196	Footrest RH	1	1
5	106197	Footrest LH	1	1
6	915112	Eslok Nut 5/16-18	10	10
7	900036	Carriage Bolt 5/16-18 X 5/8	10	10
8	103887	Rubber Bumper	2	2
9	106298	Hitch-Drawbar	1	1
10	915112	Eslok Nut 5/16-18	10	10
11	900036	Carriage Bolt 5/16-18 X 5/8	10	10
12	106273	Support-Seat	1	1
13	106308	Shaft-Rear	1	1
14	106288	Clamp	2	2
15	106488	Pad-Footrest	2	2
16	106272	Hoodstand	1	1
17	926694	Washer HD. S.T. Screw 5/16-18 X 5/8	4	4
18	913463	S.T. Screw 5/16-18 X 3/4	4	4
19	9775	Spacer-Hoodstand	2	2
20	106204	Guide-Mower	1	1
21	908037	Bolt 3/8-16 X 1 3/4	1	1
22	106615	Spacer	1	1
23	915113	Eslok Nut 3/8-16	3	3
24	900062	Carriage Bolt 3/8-16 X 3/4	2	2
25	105438	Assy-Fender & Plate	1	1
26	106557	Reflector-Rear	2	2
27	915113	Eslok Nut 3/8-16	1	1
28	908032	Bolt 3/8-16 X 3/4	1	1



0904

Figure 9-1 Engine and Transmission

Item	Part Number	Description		
			82-11BP01	
			82-08BP01	
		Figure 9-1		
		ENGINE AND TRANSMISSION		
1	106514	Transmission-Peerless Mod. 669	1	1
2	102871	Shift Knob	1	1
3	920082	Lockwasher 5/16	2	2
4	106290	Bracket-Rear Axle RH	1	1
5	106283	Bracket-Rear Axle LH	1	1
6	900036	Carriage Bolt 5/16-18 X 5/8	6	6
7	106292	Bracket-Trans. Mounting	1	1
8	915112	Eslok Nut 5/16-18	6	6
9	908023	Bolt 5/16-18 X 2	1	1
10	103428	"U" Bolt-Axle Mount	1	1
11	908019	Bolt 5/16-18 X 1	3	3
12	915112	Eslok Nut 5/16-18	3	3
13	915113	Eslok Nut 3/8-16	2	2
14	106646	Engine-8HP-B&S Model 191707, Type 1136-01	1	
14	106552	Engine-11HP-B&S Model 252707, Type 0151-01		1
15	920008	Washer 5/16 SAE	4	4
16	908021	Bolt 5/16-18 X 1 1/2	4	4
17	915112	Eslok Nut 5/16-18	4	4
18	920008	Washer 5/16 SAE	2	2

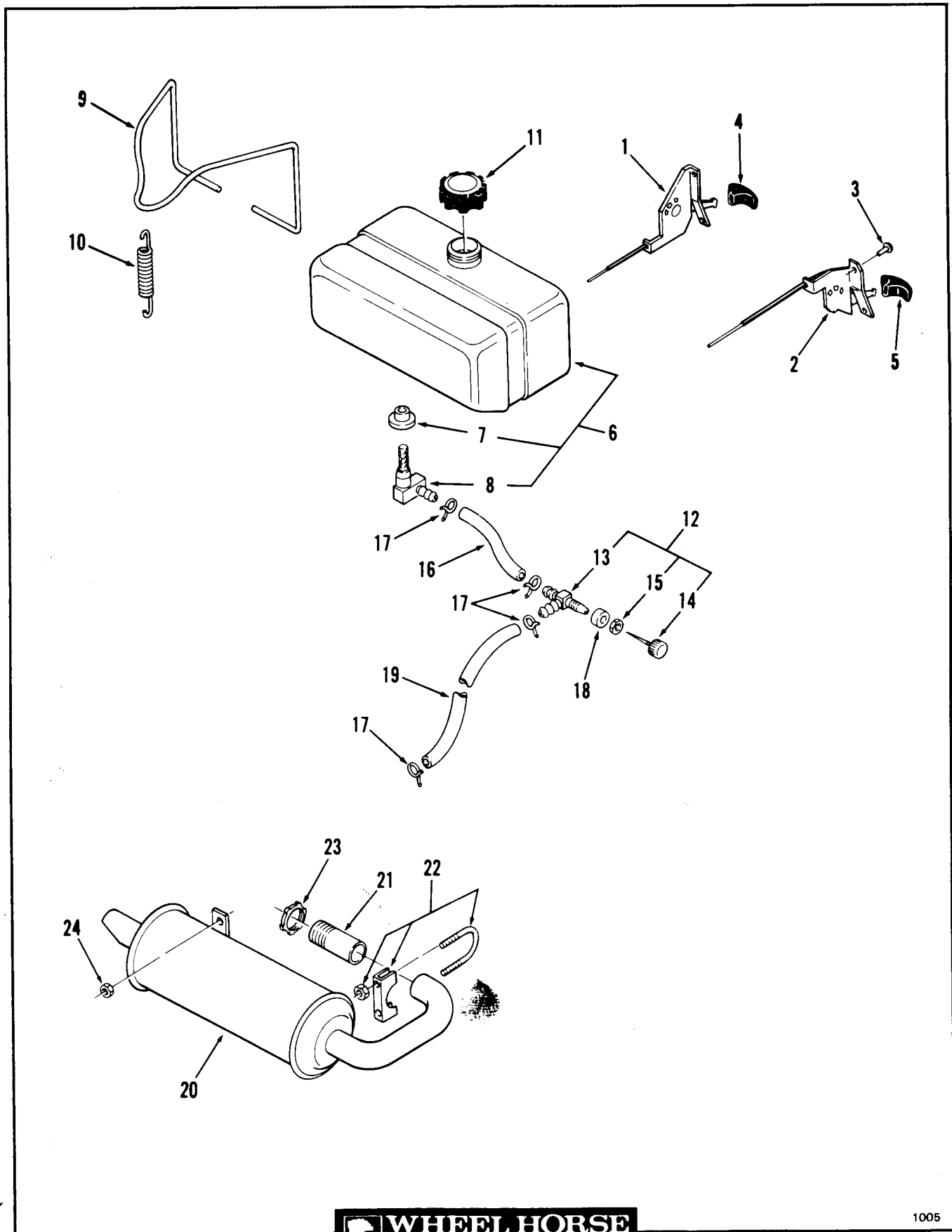


Figure 10-1 Fuel and Exhaust Systems

Item	Part Number	Description	82-11BP01	
			82-08BP01	
Figure 10-1 FUEL AND EXHAUST SYSTEMS				
1	103519	Assy-Throttle Control	1	1
2	106422	Assy-Choke Control	1	1
3	923795	Pop Rivet 3/16	4	4
4	102185	Knob-Throttle	1	1
5	102186	Knob-Choke	1	1
6	104067	Assy-Fuel Tank	1	1
7	104047	Bushing	1	1
8	104071	Fuel Tank Fitting	1	1
9	100147	Hold Down Wire	1	1
10	9170	Hold Down Spring	1	1
11	102321	Gasoline Cap Assy	1	1
12	8023	Fuel Valve Assy	1	1
13	100748	Valve Body	1	1
14	100749	Stem	1	1
15	100750	Nut	1	1
16	105029	Fuel Hose 4.5 in. (11.3 cm)	1	1
17	950154	Corbin Clamp	4	4
18	5189	Spacer	1	1
19	105442	Fuel Hose 18 in. (45.7 cm)	1	1
20	106515	Muffler		1
21	105913	Nipple-Engine		1
22	102645	Assy-Muffler Clamp		1
23	1756	Locknut 3/4 Pipe Thd		1
24	960010	Whizlock Nut 5/16-18		1
NOTE: Muffler Supplied by Engine Manufacturer on B-81 Models.				

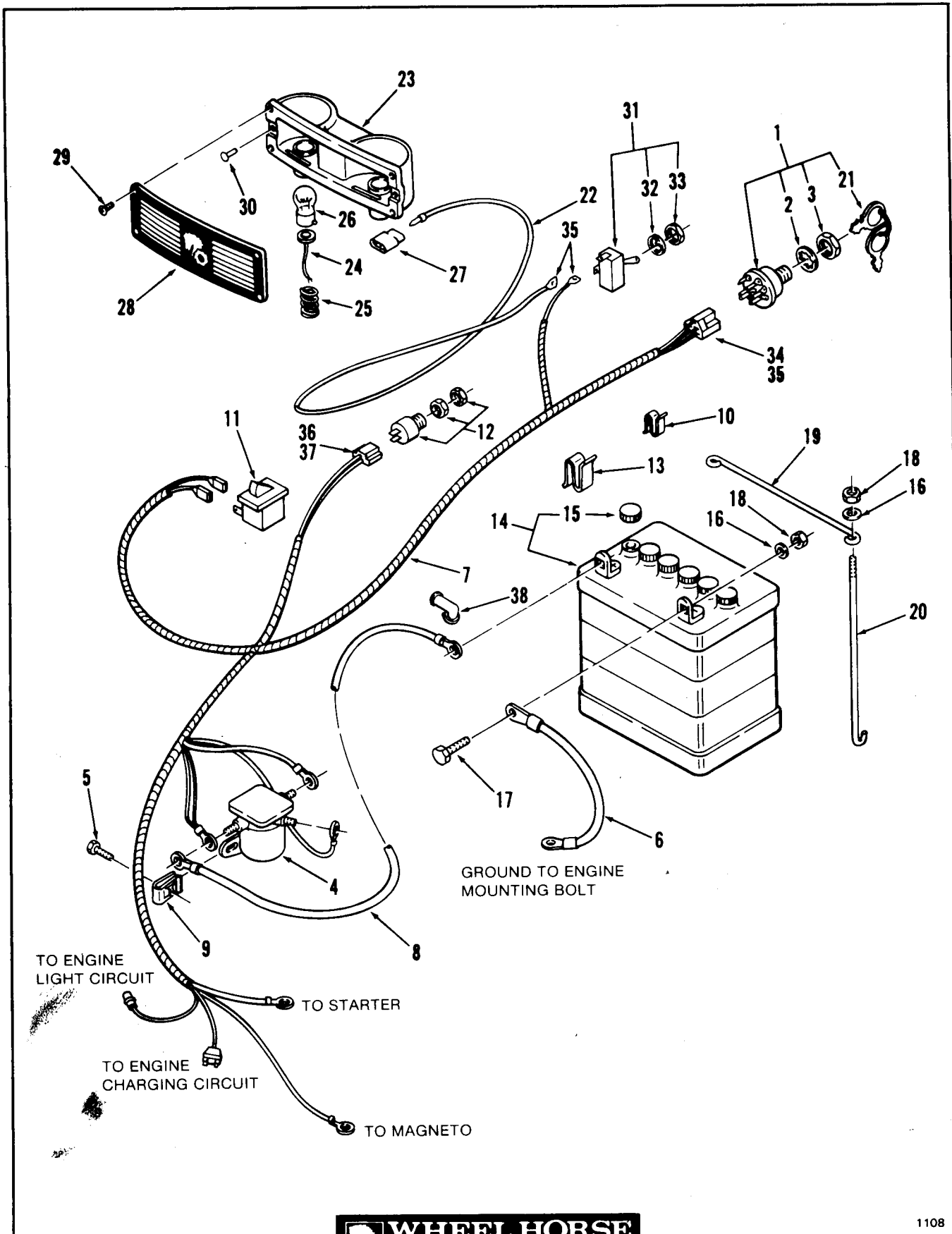


Figure 11-1 Electrical System

Item	Part Number	Description	82-11BP01	
			82-08BP01	
Figure 11-1 ELECTRICAL SYSTEM				
1	103991	Assy-Switch Ignition	1	1
2	920160	Lockwasher	1	1
3	101884	Special Hex Nut	1	1
4	8658	Solenoid	1	1
5	913136	Washer HD. Bolt 1/4-20 X 1/2	2	2
6	8655	Cable-Batt. To Ground	1	1
7	106423	Assy-Wiring Harness	1	1
8	104268	Cable-Solenoid To Batt. Pos.	1	1
9	106370	Clip 1/4-20	2	2
10	3023	Speed Clip 1/16	1	2
11	103480	Interlock Switch-Clutch	1	1
12	106268	Interlock Switch-PTO (W/8786 Nuts)	1	1
13	9210	Speed Clip 3/16		1
14	104962	Battery	1	1
15	100438	Battery Cap	6	6
16	920007	Washer 1/4 SAE	4	4
17	908003	Bolt 1/4-20 X 3/4	2	2
18	915111	Eslok Nut 1/4-20	4	4
19	105504	Rod-Hold Down	1	1
20	8107	Hook-Battery Strap	2	2
21	7262	Ignition Key-Set of 2	1	1
22	106555	Wire-Lights		1
23	7223	Reflector Housing		1
24	7226	Wire & Terminal		2
25	7227	Spring		2
26	7228	Bulb (#1156)		2
27	7618	Three Wire Connector		1
28	103771	Lens		1
29	7229	S.T. Screw #6-32 X 3/8 Special		4
30	923784	Pop Rivet 1/8		2
31	102138	Toggle Switch-Lights		1
32	102950	Locking Ring		1
33	8786	Special Hex Nut		1
34	105302	Conn. Body-Ign. Sw.-Part of 7	1	1
35	102651	Female Terminal-Part of 7,22	3	5
36	105305	Conn. Body-PTO Sw.-Part of 7	1	1
37	105304	Female Terminal-Part of 7	2	2
38	104277	Battery Terminal Cover	1	1

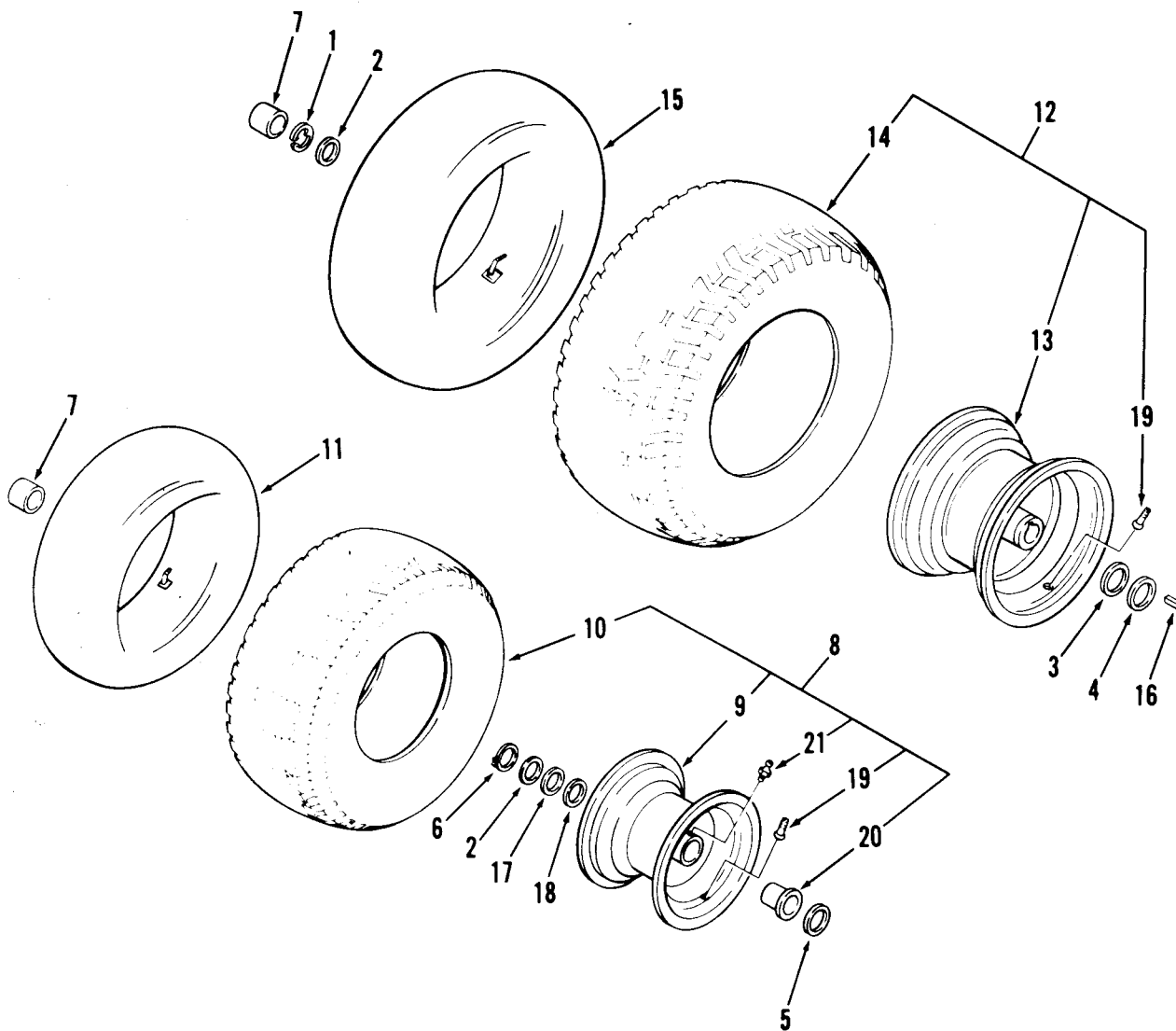


Figure 13-1 Wheels and Tires

Item	Part Number	Description	82-11BP01	
			82-08BP01	
		Figure 13-1 WHEELS AND TIRES		
1	104636	"E" Ring	2	2
2	920256	Special Washer-Hubcap	4	4
3	5210	Shim Washer .015	X	X
4	1278	Shim Washer .050	X	X
5	920015	Washer 3/4	2	2
6	104822	Retaining Ring 3/4	2	2
7	103634	Hub Cap	4	4
8	8187	Assy-Wheel & Tire Front	2	
8	105449	Assy-Wheel & Tire Front		2
9	8118	Front Wheel	1	
9	105448	Front Wheel		1
10	8188	Front Tire 13 X 5.00-6	1	
10	104307	Front Tire 13 X 6.50-6		1
11	100043	Front Tube-Service Only	1	
11	101779	Front Tube-Service Only		1
12	106551	Assy-Wheel & Tire Rear	2	
12	106391	Assy-Wheel & Tire Rear		2
13	106490	Rear Wheel	1	1
14	8191	Rear Tire 18 X 8.50-8	1	
14	105451	Rear Tire 18 X 9.50-8		1
15	106396	Rear Tube-Service Only	1	
15	105450	Rear Tube-Service Only		1
16	1120	Sq Key 3/16 X 1 3/4	2	2
17	1278	Shim Washer .050	2	2
18	5210	Shim Washer .015	2	2
19	5108	Valve Stem (Tubeless Tire)	1	1
20	6385	Flange Bushing	2	2
21	1030	Grease Fitting	1	1

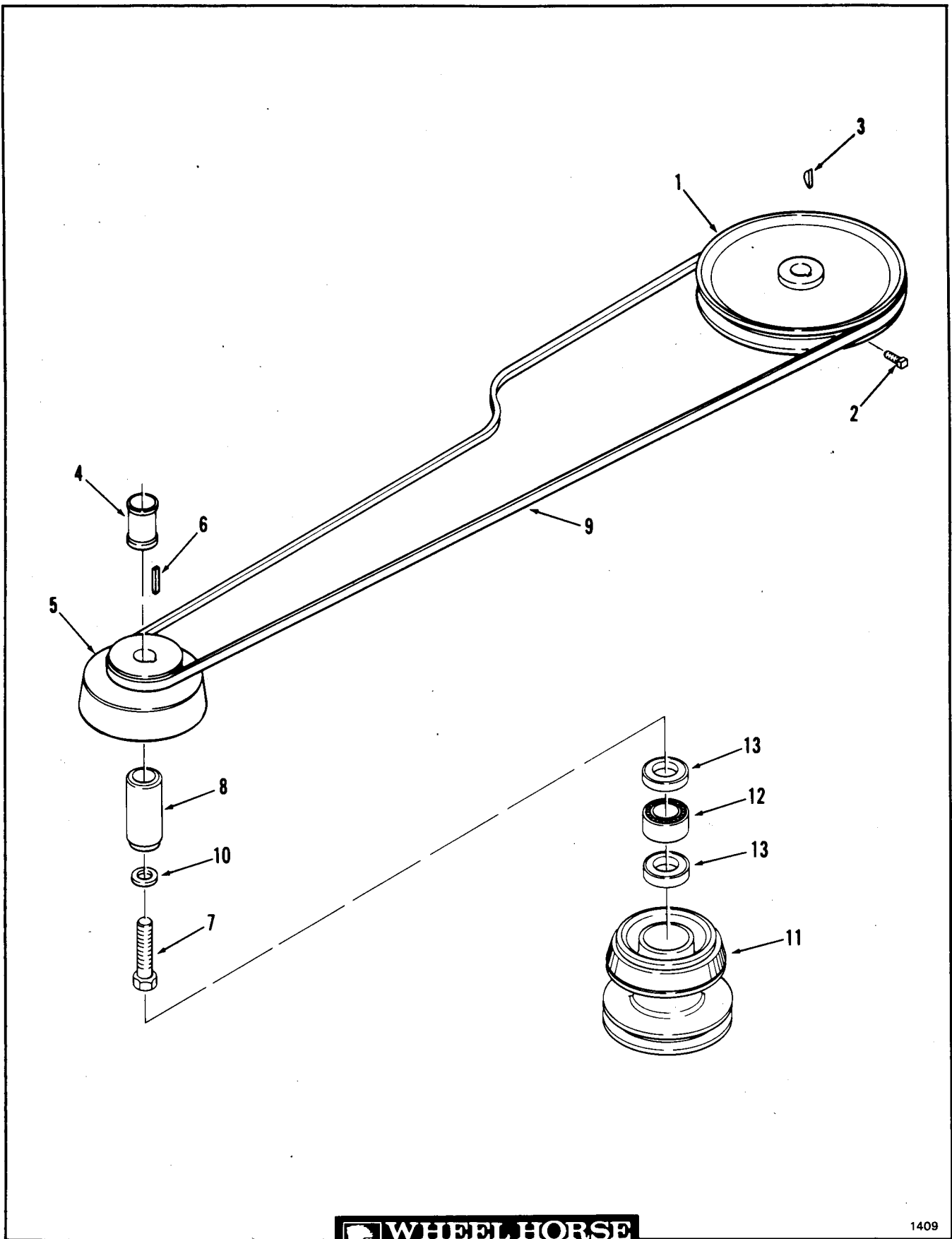


Figure 14-1 Drive Belt and Pulleys

Item	Part Number	Description		
		82-11BP01		
		82-08BP01		
Figure 14-1				
DRIVE BELT AND PULLEYS				
1	106387	Pulley-Transmission	1	1
2	909540	Sq HD Set Scr. 5/16-18 X 1/2	2	2
3	937222	Hi-Pro Key #6	1	1
4	106563	Tube Spacer	1	1
5	106562	Pulley-Engine	1	1
6	105453	Sq Key 1/4 X 5/8	1	1
7	908195	Eslok Bolt 7/16-20 X 1	1	1
8	106564	Bearing Race	1	1
9	106518	Belt-Transmission Drive	1	1
10	920236	Special Washer	1	1
11	106565	Assy-Pulley Mwr Dr	1	1
12	106769	Needle Bearing	1	1
13	6663	Oil Seal	2	2

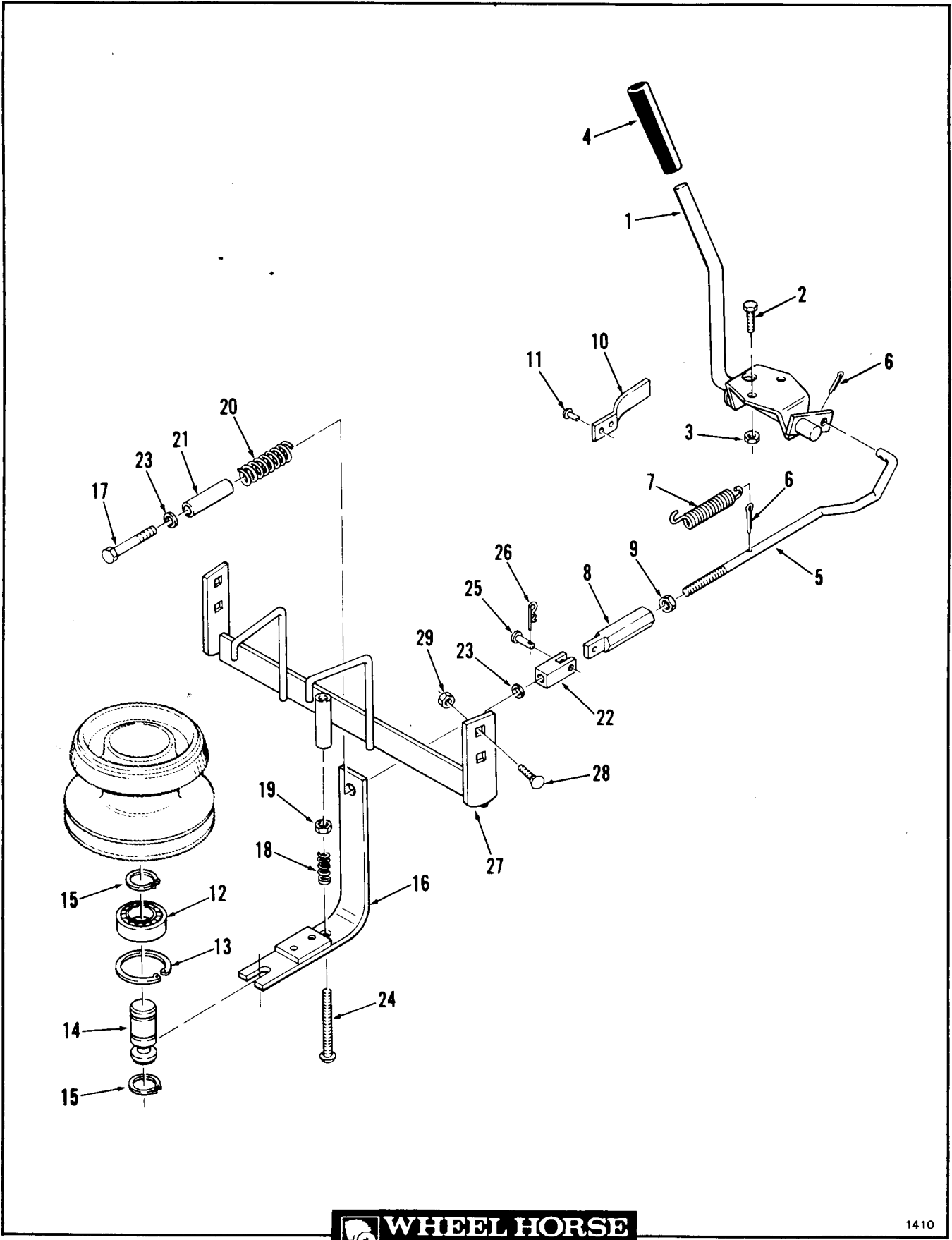


Figure 14-2 PTO Clutch

Item	Part Number	Description	82-11BP01	
			82-08BP01	
		Figure 14-2		
		PTO CLUTCH		
1	106627	PTO Clutch Lever	1	1
2	908016	Bolt 5/16-18 X 5/8	2	2
3	915112	Eslok Nut 5/16-18	2	2
4	9038	Grip	1	1
5	106630	PTO Clutch Rod	1	1
6	932008	Cotter Pin 3/32 X 3/4	2	2
7	106628	Spring	1	1
8	106623	Clutch Rod Adjust Block	1	1
9	915235	Jam Nut 5/16-18	1	1
10	106852	Flat Spring	1	1
11	923784	Pop Rivet 1/8	2	2
12	5196	Ball Bearing	1	1
13	936032	Int Snap Ring 1 3/4	1	1
14	106568	Shaft-Clutch Hsg	1	1
15	936125	Ext Snap Ring 3/4	2	2
16	106569	Clutch Brake Bracket	1	1
17	908025	Bolt 5/16-18 X 2 1/2	1	1
18	106611	Spring-Brake	1	1
19	915235	Jam Nut 5/16-18	1	1
20	106573	Spring-Clutch	1	1
21	106574	Tube-Clutch Spacer	1	1
22	106575	Block-Clutch Adjust	1	1
23	920038	Washer 5/16 U.S.	2	2
24	910871	Pan HD Mach Screw 5/16-18 X 2	1	1
25	932917	Clevis Pin 3/16 X 5/8	1	1
26	933503	Hairpin Cotter	1	1
27	106578	Clutch Mounting Bracket	1	1
28	900037	Carriage Bolt 5/16-18 X 3/4	4	4
29	915112	Eslok Nut 5/16-18	4	4

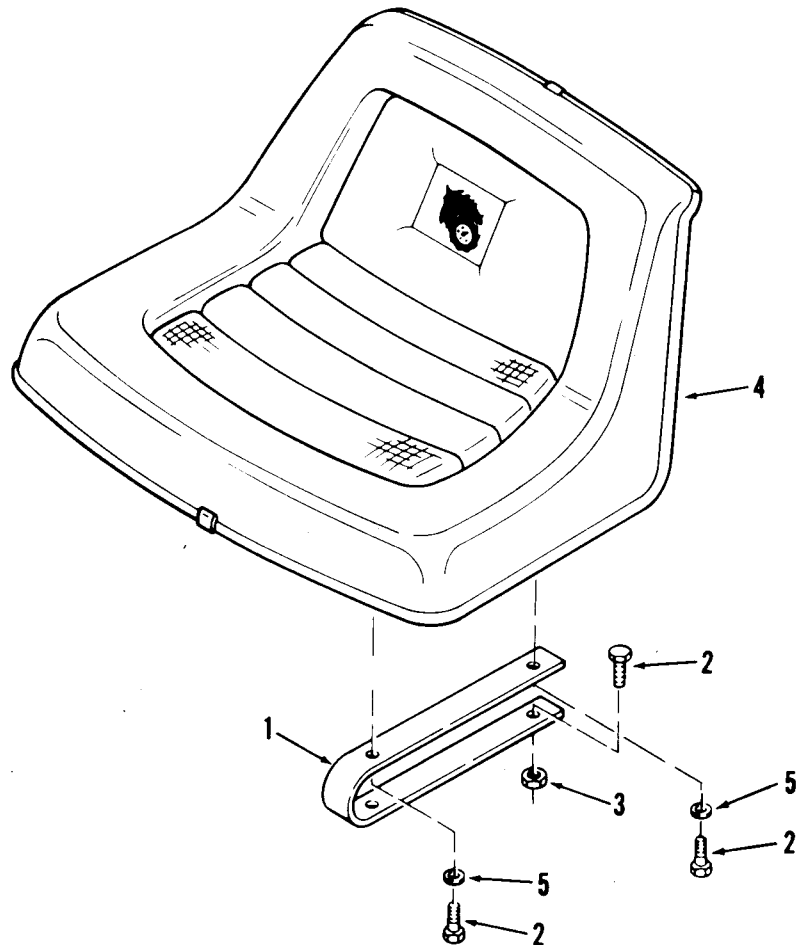


Figure 15-1 Seat and Suspension

Item	Part Number	Description	82-08BP01	82-11BP01
<p>Figure 15-1 SEAT AND SUSPENSION</p>				
1	103145	Spring-Seat	2	2
2	908017	Bolt 5/16-18 X 3/4	8	8
3	915112	Esllok Nut 5/16-18	4	4
4	105259	Seat Assy	1	1
5	920082	Lockwasher 5/16	4	4

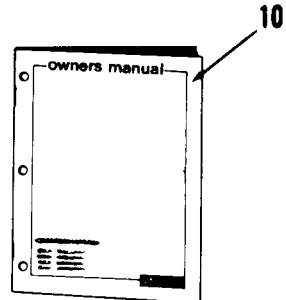
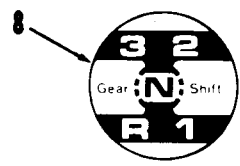
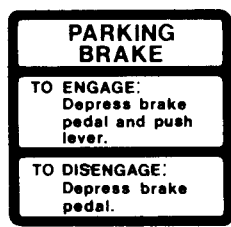
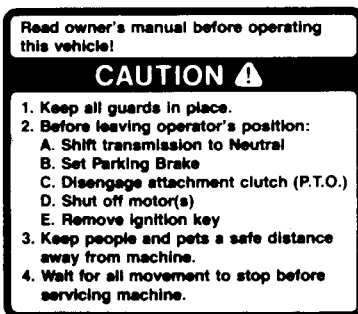
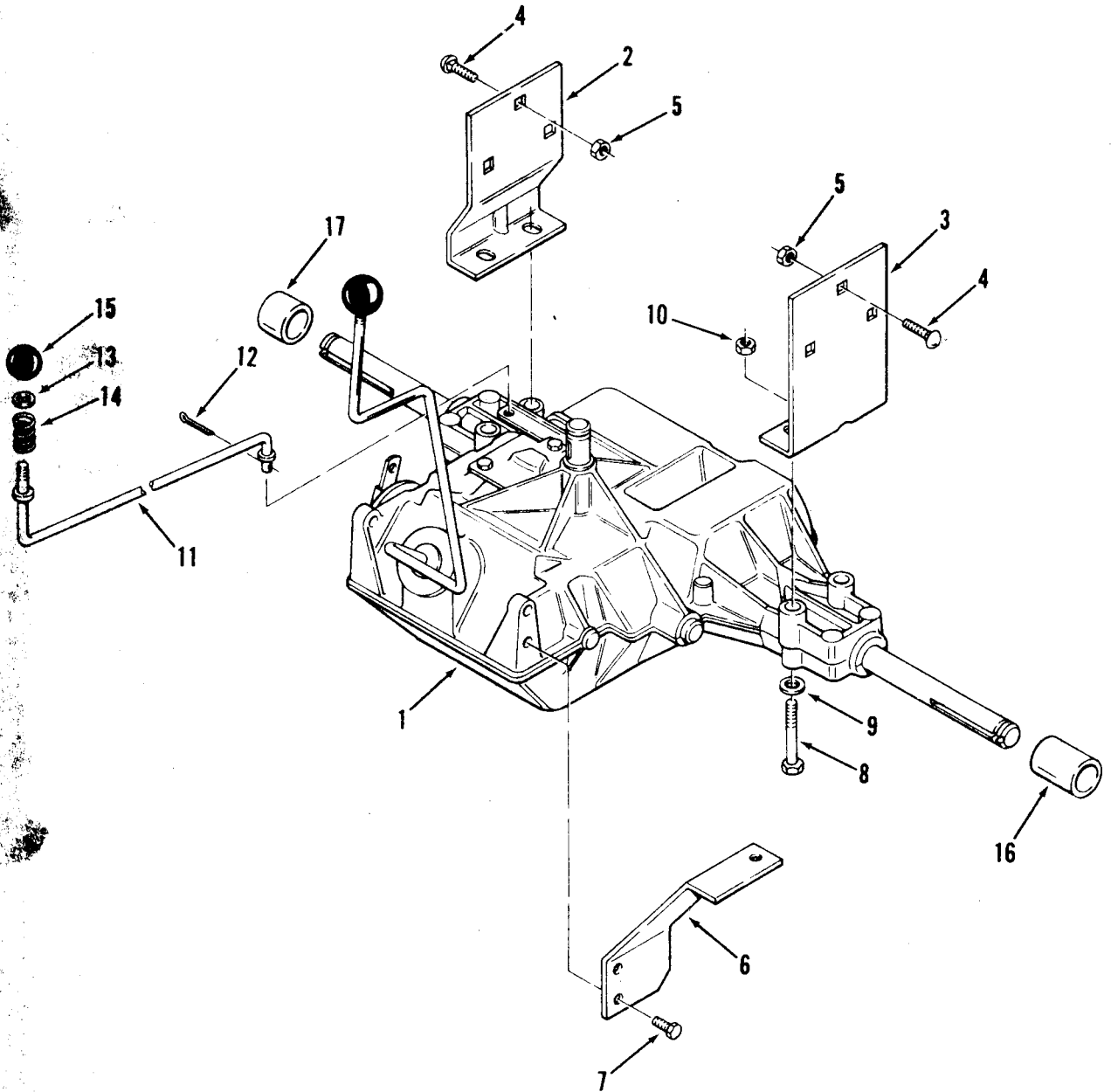


Figure 15-2 Decals, Miscellaneous

Item	Part Number	Description	82-08BP01	82-11BP01
Figure 15-2 DECALS, MISCELLANEOUS				
1	106550	Decal-Hood B-81 RH	1	
2	106549	Decal-Hood B-81 LH	1	
3	106548	Decal-Hood B-111 RH		1
4	106547	Decal-Hood B-111 LH		1
5	106712	Decal-Caution	1	1
6	106546	Decal-Parking Brake	1	1
7	106718	Decal-PTO Clutch	1	1
8	106737	Decal-4 Spd Shift	1	1
9	106601	Decal-Rear	1	1
10	810001R1	Owner's Manual	1	1
NOT SHOWN				
	803219	New Tractor Loose Parts Completing Package	1	
	803218	New Tractor Loose Parts Completing Package		1

SECTION 3 - 6-SPEED TRANSMISSION



0315

Figure 3-1

6-Speed Transmission

Item	Part Number	Description	B-81	B-111
<p>Figure 3-1 6-SPEED TRANSMISSION</p>				
1	107972	Transmission - Foote Model 4000-5	1	1
2	107970	Bracket - Rear Axle RH	1	1
3	107971	Bracket - Rear Axle LH	1	1
4	900036	Carriage Bolt 5/16-18 X 1	6	6
5	915112	Eslok Nut 5/16-18	6	6
6	107786	Torque Strap	1	1
7	928694	S.T. Bolt 5/16-18 X 5/8	2	2
8	908041	Bolt 3/8-16 X 2 3/4	4	4
9	920009	Washer 3/8 SAE	4	4
10	915113	Eslok Nut 3/8-16	4	4
11	107974	Hi-Lo Shift Rod	1	1
12	932000	Cotter Pin 1/16 X 1/2	1	1
13	920007	Washer 1/4 SAE	X	X
14	6390	Spring	1	1
15	8706	Knob	1	1
16	107503	Axle Spacer LH	1	1
17	107504	Axle Spacer RH	1	1



SECTION 3 - 6-SPEED TRANSMISSION

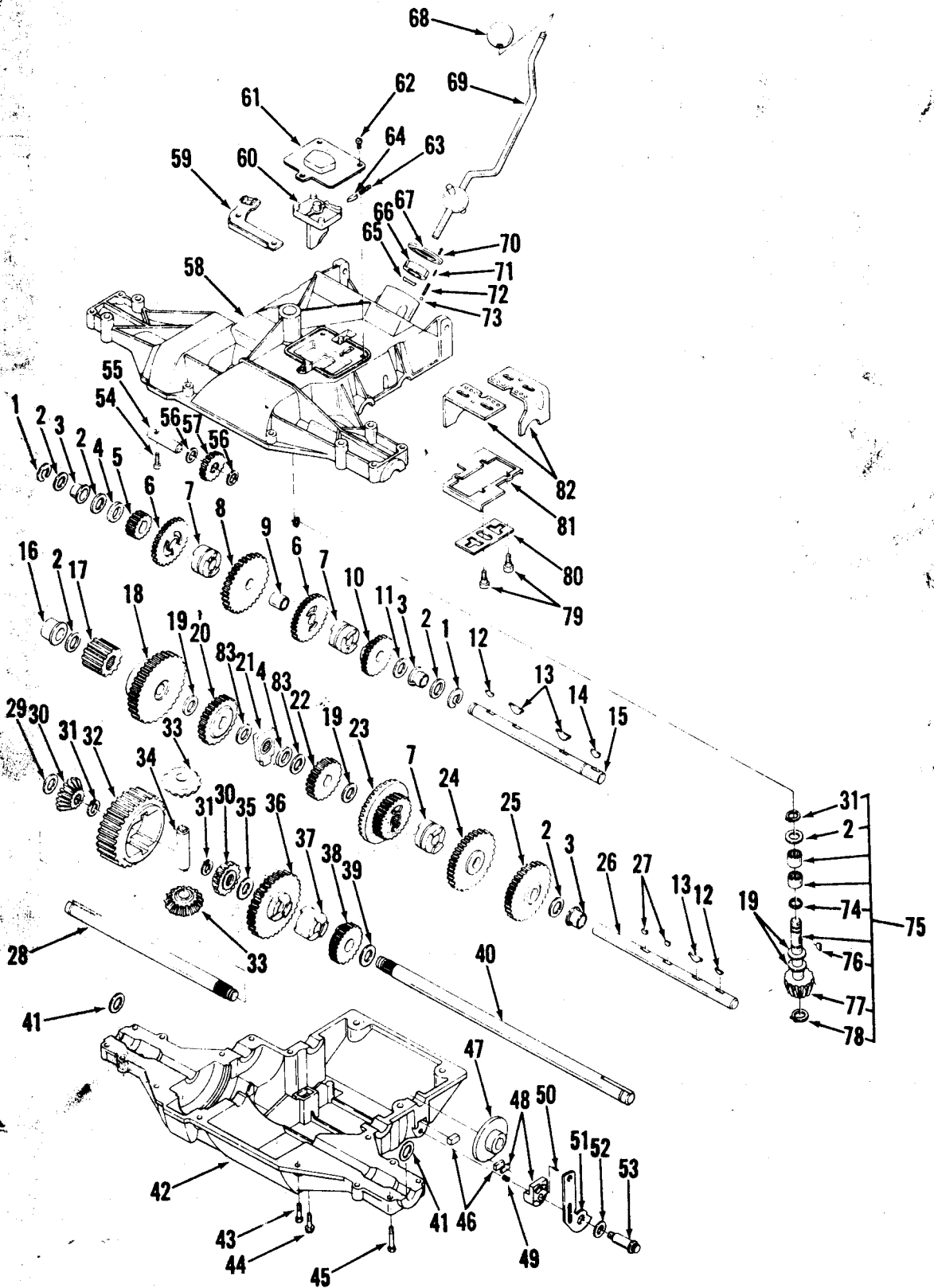
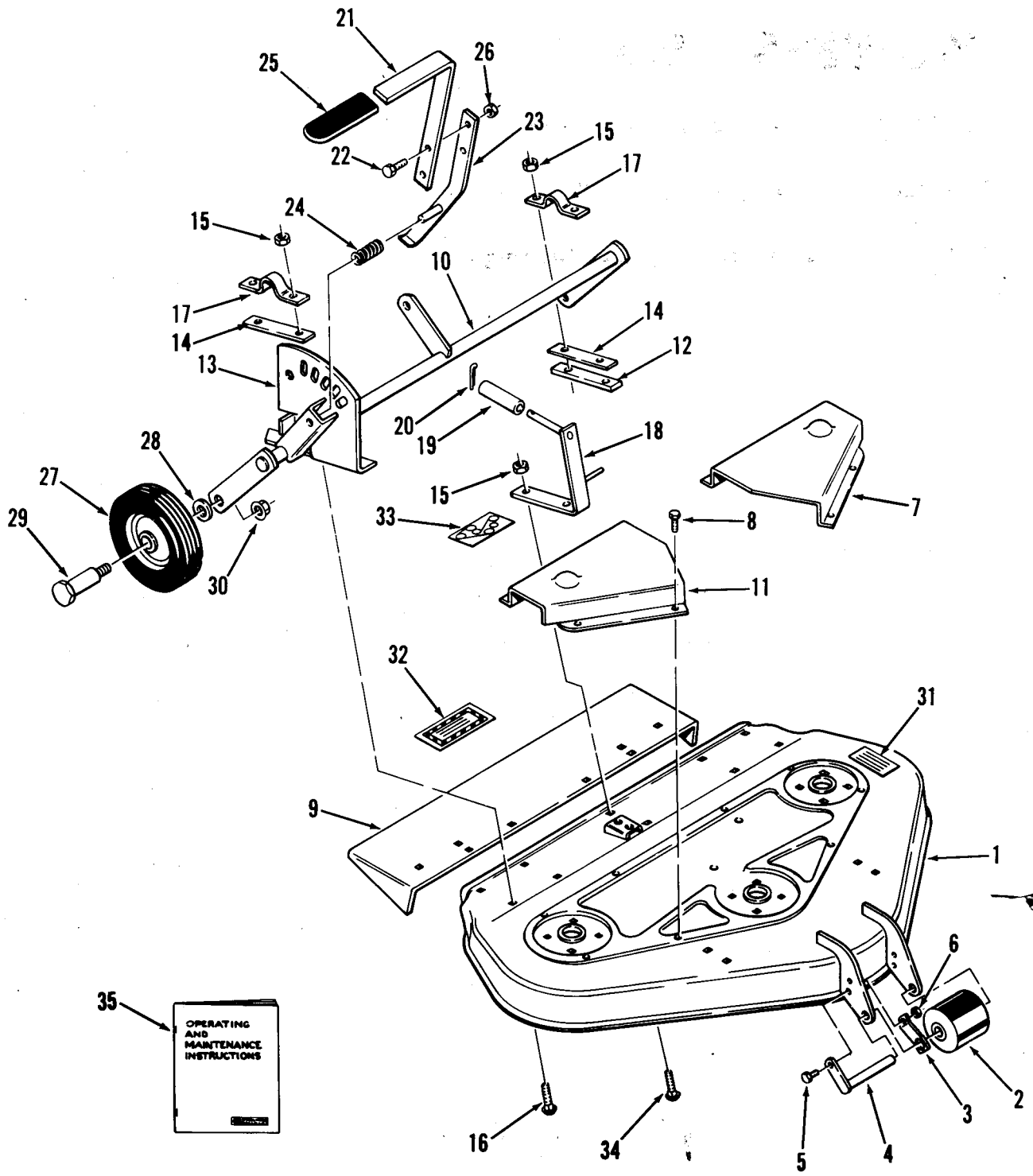


Figure 3-2 6-Speed Transmission

Item	Part Number	Description		
			B-81	B-111
Figure 3-2				
6-SPEED TRANSMISSION				
Note: Parts marked with an asterisk (*) are the only replacement parts available for 1979.				
1	107836	E-Ring	2	2
2	107837	Shim Washer .060	X	X
2	107838	Shim Washer .050	X	X
2	107839	Shim Washer .045	X	X
2	107840	Shim Washer .040	X	X
2	107841	Shim Washer .035	X	X
2	107842	Shim Washer .031	X	X
2	107843	Shim Washer .025	X	X
2	107844	Shim Washer .020	X	X
3	107845	Flange Bearing	3	3
4	107846	Spacer 1.00 X .630 X .110	2	2
5	107847	Spur Gear 13T	1	1
6	107848	Spur Gear 25T	2	2
7	107849	Clutch Collar	3	3
8	107850	Spur Gear 30T	1	1
9	107851	Spacer .87 X .632 X .679	1	1
10	107852	Spur Gear 20T	1	1
11	107844	Shim Washer .020	1	1
12	107854	Woodruff Key #3	2	2
13	107855	Hi-Pro Key, Special	3	3
14	107856	Woodruff Key #61	1	1
15	107857	Intermediate Shaft	1	1
16	107858	Flange Bearing	1	1
17	107859	Gear Assy. 12T	1	1
18	107860	Spur Gear 37T	1	1
19	107839	Shim Washer .045	4	4
20	107862	Spur Gear 25T	1	1
21	107863	Shaft Support Assy.	1	1
22	107864	Spur Gear 20T	1	1
23	107865	Bevel Gear Assy.	1	1
24	107866	Spur Gear 33T	1	1
25	107867	Spur Gear 30T	1	1
26	107868	Drive Shaft	1	1
27	107869	Woodruff Key #3, Special	2	2
28	107870	Axle LH	1	1
29	107871	Shim Washer 1.25 X .755 X .062	X	X
29	107872	Shim Washer 1.25 X .755 X .031	X	X
29	107873	Shim Washer 1.25 X .755 X .040	X	X
30	107874	Bevel Gear 15T Splined	2	2
31	107875	Retaining Ring	3	3
32	107876	Spur Gear 32T	1	1
33	107877	Bevel Gear 15T	2	2
34	107878	Cross Shaft	1	1
35	107872	Shim Washer 1.25 X .755 X .031	1	1
36	107853	Spur Gear 35T	1	1
37	107879	Gear Lock	1	1

Item	Part Number	Description	B-111	
			B-81	
Figure 3-2				
6-SPEED TRANSMISSION (Cont'd)				
Note: Parts marked with an asterisk (*) are the only replacement parts available for 1979.				
38	107880	Spur Gear 22T	1	1
39	107871	Shim Washer 1.25 X .755 X .062	1	1
40	107881	Axle RH	1	1
41	107882	Felt Seal	2	2
42	107883	Case Half, Lower	1	1
43	107884	S.T. Bolt 1/4-20 X 3/4	8	8
44	107885	Hex HD. Machine Screw #12-24 X 5/8	1	1
45	107886	S.T. Bolt 1/4-20 X 1 5/16	6	6
46	107887*	Friction Puck	2	2
47	107888*	Brake Disc	1	1
48	107889*	Brake Jaw Assembly	1	1
49	107890*	Compression Spring	1	1
50	107891*	Set Screw #8-32 X 5/16	1	1
51	107892*	Brake Lever	1	1
52	107893*	Shim Washer .750 X .505 X .015	X	X
52	107895*	Shim Washer .750 X .505 X .006	X	X
53	107896*	Shoulder Bolt	1	1
54	107897	S.T. Screw #10-24 X 1	1	1
55	107898	Idler Shaft	1	1
56	107899	Washer 1.00 X .505 X .020	2	2
57	107900	Idler Gear Assembly	1	1
58	107901	Case Half, Upper	1	1
59	107902	Lever, HI-Lo Shift	1	1
60	107903	Shift Fork, HI-Lo	1	1
61	107904	Cover Plate	1	1
62	107905	S.T. Bolt #8-32 X 1/2	3	3
63	107906	Detent Spring	1	1
64	107907	Detent Pin	1	1
65	107908*	Wave Washer	1	1
66	107909*	Nylon Insert	1	1
67	107910*	Nylon Cover	1	1
68	107871*	Shift Knob	1	1
69	107912*	Shift Lever	1	1
70	107913*	S.T. Screw #10-24 X 1/2 Truss HD.	4	4
71	107914*	Set Screw 1/4-20 X 1/2	1	1
72	107915	Detent Spring	1	1
73	107916	Detent Ball	1	1
74	107917	O-Ring	1	1
75	107918	Input Shaft Kit	1	1
76	107919*	Woodruff Key #9	1	1
77	107920	Bevel Pinion 16T	1	1
78	107921	Retaining Ring	1	1
79	107922	Screw 1/4-28 X 3/4 Posi-Drive	4	4
80	107923	Lock-Out Plate	1	1
81	107924	Support Plate	1	1
82	107925	Shift Fork	2	2
83	107843	Shim Washer .025	2	2

REAR AND SIDE DISCHARGE MOWERS— 36 in. (92 cm)
VEHICLE IDENTIFICATION NUMBERS 85-36XR01, 85-36XS01

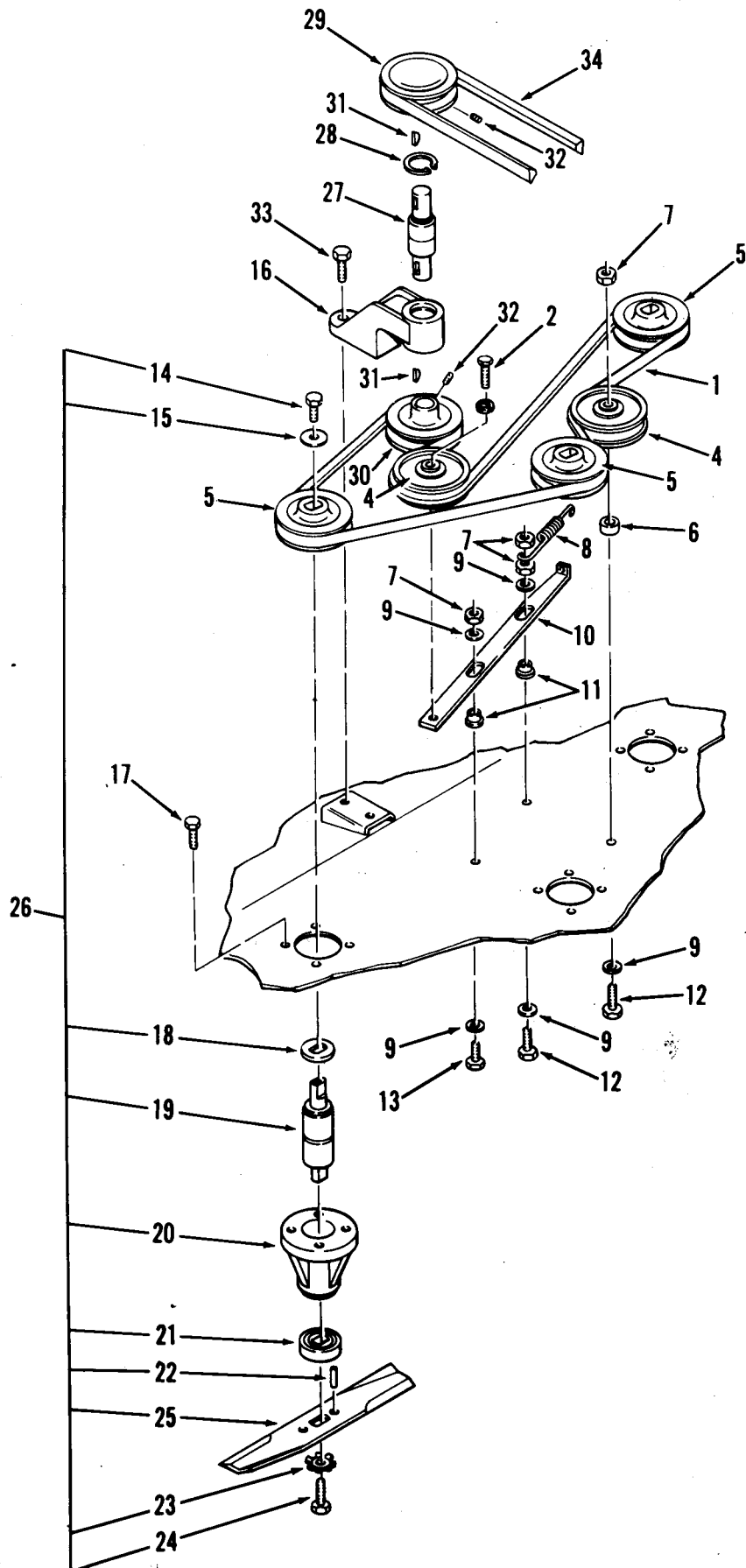


**REAR AND SIDE DISCHARGE MOWERS — 36 in. (92 cm)
VEHICLE IDENTIFICATION NUMBERS 85-36XR01, 85-36XS01**

Parts available only through Authorized Dealers.
When ordering parts always list Part Number and Description.
(Specifications subject to change without notice.)

ITEM NO.	PART NO.	DESCRIPTION	NO. REQ'D.
1	106402	Mower Deck — Rear Discharge	1
	106542	Mower Deck — Side Discharge	1
2	5240	Roller (w/100284 Bushings)	1
3	102773	Roller Stop Spring	1
4	102770	Roller Shaft	1
5	908002	Bolt 1/4-20 x 5/8	1
6	915111	Eslok Nut 1/4-20	1
7	106479	L. H. Belt Cover	1
8	926671	Bolt 1/4-20 x 1/2 Swage Form	8
9	106480	Chute Extension (Rear Discharge Only)	1
10	106403	Gage Wheel Support Assembly	1
11	106478	R. H. Belt Cover	1
12	106377	Strap 3/16	1
13	106392	Quadrant	1
14	106468	Strap 1/16	2
15	915113	Eslok Nut 3/8-16	6
16	900063	Carriage Bolt 3/8-16 x 1	4
17	106378	Clamp	2
18	106476	Bracket Guide Assembly	1
19	106383	Spacer	1
20	932017	Cotter Pin 1/8 x 1	1
21	106380	Extension Handle	1
22	908003	Bolt 1/4-20 x 3/4	2
23	106483	Lever Assembly	1
24	101853	Spring	1
25	102597	Grip	1
26	915111	Eslok Nut 1/4-20	2
27	106588	Wheel 6 x 1.75	2
28	920242	Special Washer	2
29	5188	Shoulder Bolt	2
30	102809	Nut 3/8-16 MF Two-Way Lock	2
31	105206	Caution Decal	2
32	106746	Decal, Mower Guard (Rear Discharge Only)	1
33	106749	Decal, Height Adj. & Belt Diagram	1
34	900062	Carriage Bolt 3/8-16 x 3/4	2
35	810011R1	Operating and Maintenance Instructions	1

**REAR AND SIDE DISCHARGE MOWERS — 36 in. (92 cm)
VEHICLE IDENTIFICATION NUMBERS 85-36XR01, 85-36XS01**

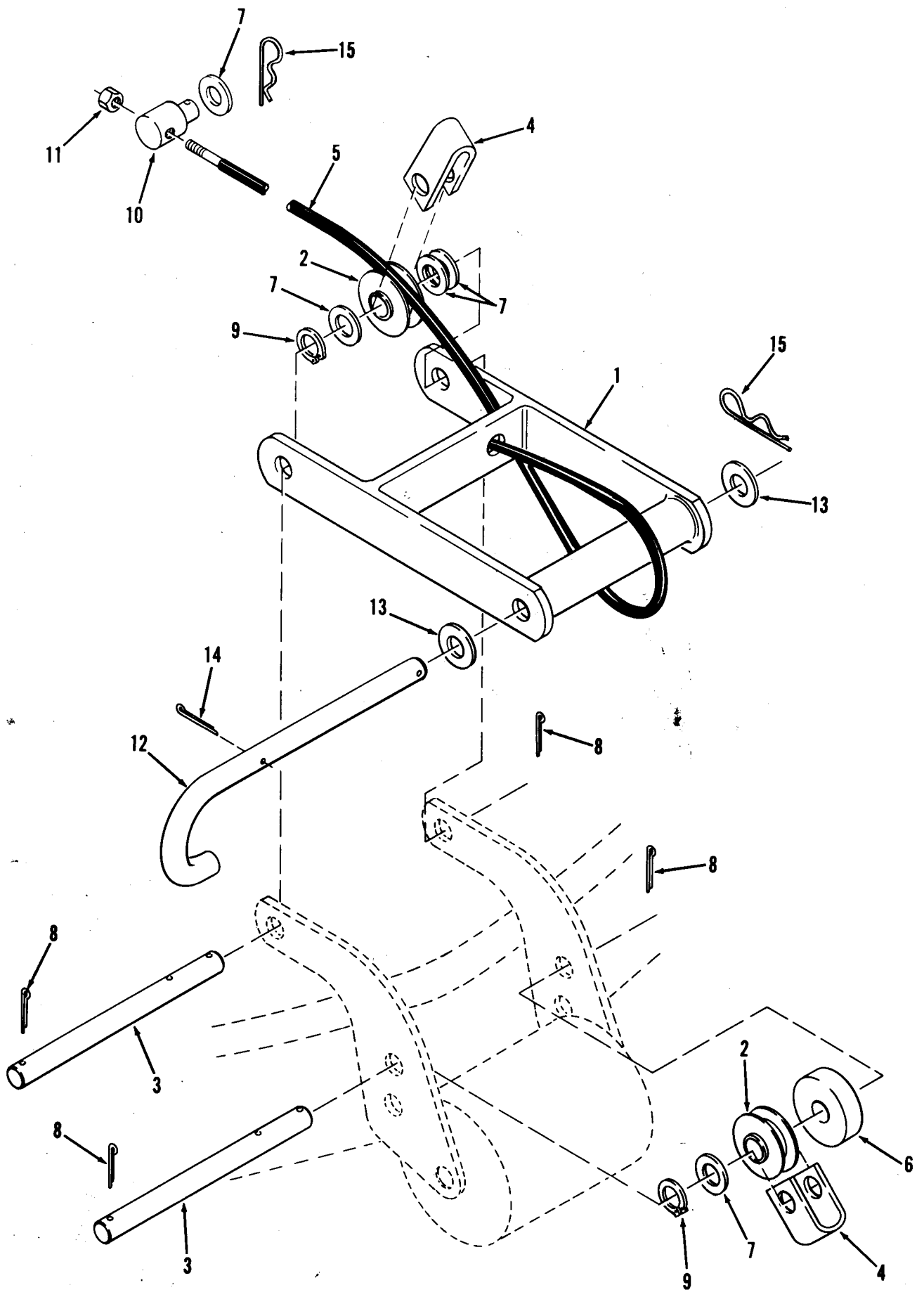


**REAR AND SIDE DISCHARGE MOWERS — 36 in. (92 cm)
VEHICLE IDENTIFICATION NUMBERS 85-36XR01, 85-36XS01**

Parts available only through Authorized Dealers.
When ordering parts always list Part No. and Description.
(Specifications subject to change without notice.)

ITEM NO.	PART NO.	DESCRIPTION	NO. REQ'D.
1	106751	Spindle Belt	1
2	105865	Bolt $\frac{3}{8}$ -16 x $1\frac{1}{4}$ Short Head	1
3	920083	Lockwasher $\frac{3}{8}$	1
4	7434	Flat Idler Pulley	2
5	105781	Pulley	3
6	102704	Spacer	1
7	915113	Nut $\frac{3}{8}$ -16	4
8	100071	Spring	1
9	2844	Special Washer	5
10	105860	Idler Support Bar	1
11	106121	Spacer/Bushing	2
12	908037	Bolt $\frac{3}{8}$ -16 x $1\frac{3}{4}$	2
13	908035	Bolt $\frac{3}{8}$ -16 x $1\frac{1}{4}$	1
14	908033	Nylok Bolt $\frac{3}{8}$ -16 x $\frac{7}{8}$	1
15	2844	Special Washer	1
16	104176	Drive Bearing Housing	1
17	908032	Nylok Bolt $\frac{3}{8}$ -16 x $\frac{3}{4}$	12
18	105075	Double "D" Washer	1
19	103119	Integral Shaft Bearing $\frac{3}{4}$	1
20	105074	Bearing Housing	1
21	104373	Spindle Cup	3
22	933210	Spirol Pin $\frac{1}{4}$ x $\frac{5}{8}$	6
23	1336	Dome Washer	1
24	908033	Nylok Bolt $\frac{3}{8}$ -16 x $\frac{7}{8}$	1
* 25	101335	Mower Blade Kit <i>oud mod.</i>	1
26	101525	Spindle Bearing Kit	3
102726 — 27	106388	Integral Shaft Bearing $\frac{5}{8}$	1
28	936021	Snap Ring	1
29	106524	Upper Pulley	1
30	105465	Lower Pulley	1
31	937089	Woodruff Key #9	2
32	909862	Set Screw $\frac{5}{16}$ -18 x $\frac{5}{16}$	4
33	926715	S. T. Bolt $\frac{3}{8}$ -16 x $\frac{3}{4}$ Swage Form	2
34	106533	Drive Belt	1
* 25	107983	90cm AL Bser Neww mod.	

**REAR AND SIDE DISCHARGE MOWERS — 36 & 42 in. (92 & 107 cm)
VEHICLE IDENTIFICATION NUMBERS 85-36XR01, 85-36XS01, 85-42XR01**

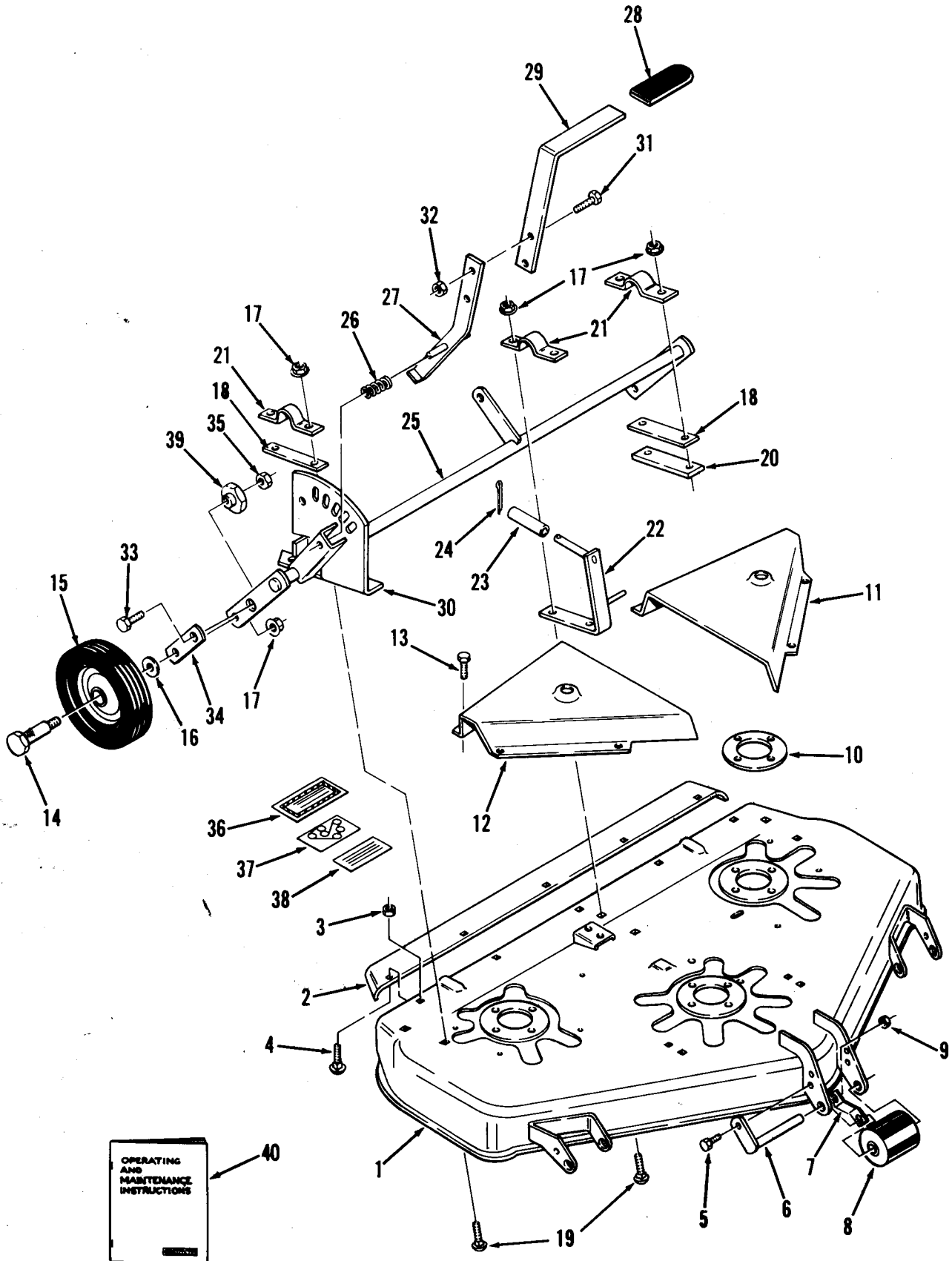


**REAR AND SIDE DISCHARGE MOWERS — 36 & 42 in. (92 & 107 cm)
VEHICLE IDENTIFICATION NUMBERS 85-36XR01, 85-36XS01, 85-42XR01**

Parts available only through Authorized Dealers.
When ordering parts always list Part No. and Description.
(Specifications subject to change without notice.)

ITEM NO.	PART NO.	DESCRIPTION	NO. REQ'D.
1	106487	Front Housing Mount	1
2	106474	Cable Roller	2
3	106475	Rod	2
4	106469	Cable Strap	2
5	106472	Cable	1
6	106461	Spacer	1
7	920009	Washer $\frac{3}{8}$ SAE	5
8	932016	Cotter Pin $\frac{1}{8}$ x $\frac{3}{4}$	4
9	106589	Grip Ring	2
10	104524	Trunnion	1
11	915112	Eslok Nut $\frac{5}{16}$ -18	1
12	106379	Front Link Pin	1
13	920011	Washer $\frac{1}{2}$ SAE	2
14	932017	Cotter Pin $\frac{1}{8}$ x 1	1
15	933505	Hairpin Cotter	2

**REAR DISCHARGE MOWER — 42 in. (107 cm)
VEHICLE IDENTIFICATION NUMBER 85-42XR01**

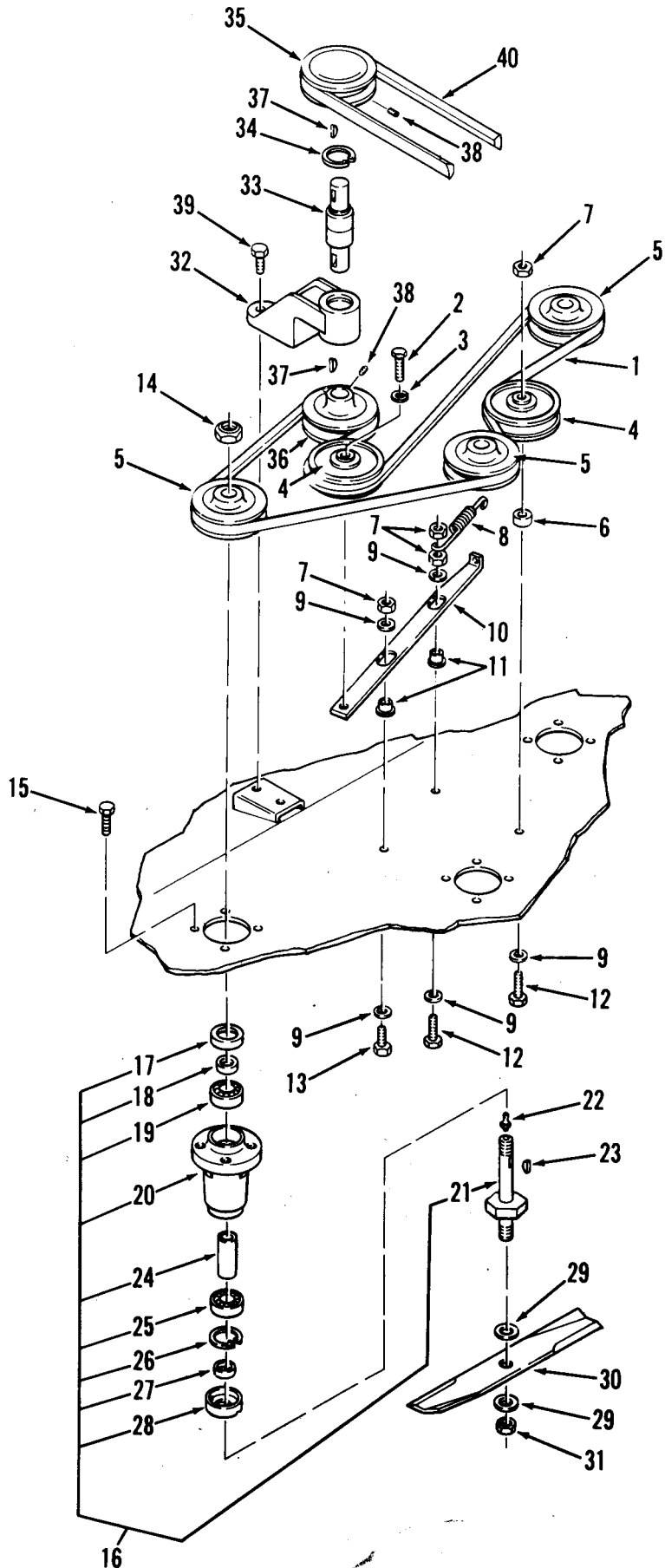


**REAR DISCHARGE MOWER — 42 in. (107 cm)
VEHICLE IDENTIFICATION NUMBER 85-42XR01**

Parts available only through Authorized Dealers.
When ordering parts always list Part No. and Description.
(Specifications subject to change without notice.)

ITEM NO.	PART NO.	DESCRIPTION	NO. REQ'D.
1	106793	Mower Deck Assembly	1
2	106789	Rear Chute Extension	1
3	915112	Nut $\frac{5}{16}$ -18	5
4	900036	Carriage Bolt $\frac{5}{16}$ -18 x $\frac{5}{8}$	5
5	908002	Bolt $\frac{1}{4}$ -20 x $\frac{5}{8}$	3
6	102770	Roller Shaft	3
7	102773	Roller Stop Spring	3
8	5240	Roller (w/100284 Bushings)	3
9	915111	Eslok Nut $\frac{1}{4}$ -20	3
10	106117	Spindle Plate	3
11	106638	L. H. Belt Cover	1
12	106409	R. H. Belt Cover	1
13	926671	Bolt $\frac{1}{4}$ -20 x $\frac{1}{2}$ Swage Form	8
14	5188	Shoulder Bolt	2
15	106588	Wheel 6 x 1.75	2
16	920242	Special Washer	2
17	102809	Nut $\frac{3}{8}$ -16 MF Two-Way Lock	8
18	106468	Strap $\frac{1}{16}$	2
19	900063	Carriage Bolt $\frac{3}{8}$ -16 x 1	6
20	106377	Strap $\frac{3}{16}$	1
21	106378	Clamp	3
22	106372	Bracket Guide	1
23	106383	Spacer	1
24	932017	Cotter Pin $\frac{1}{8}$ x 1	1
25	106393	Gage Wheel Support	1
26	101853	Spring	1
27	106483	Lever	1
28	102597	Grip	1
29	106380	Extension Handle	1
30	106392	Quadrant	1
31	908003	Bolt $\frac{1}{4}$ -20 x $\frac{3}{4}$	2
32	915111	Eslok Nut $\frac{1}{4}$ -20	2
33	908019	Bolt $\frac{5}{16}$ -18 x 1	2
34	106464	Wheel Plate	2
35	915113	Eslok Nut $\frac{5}{16}$ -18	2
36	105206	Caution Decal	2
37	106749	Decal, Height Adj. & Belt Diagram	1
38	106746	Decal, Mower Guard	1
39	101387	Steering Cam	2
40	810011R1	Operating and Maintenance Instructions	1

**REAR DISCHARGE MOWER — 42 in. (107 cm)
VEHICLE IDENTIFICATION NUMBER 85-42XR01**



REAR DISCHARGE MOWER — 42 in. (107 cm)

VEHICLE IDENTIFICATION NUMBER 85-42XR01

Parts available only through Authorized Dealers.

When ordering parts always list Part No. and Description.

(Specifications subject to change without notice.)

ITEM NO.	PART NO.	DESCRIPTION	NO. REQ'D.
1	106516	Spindle Belt	1
2	908035	Bolt $\frac{3}{8}$ -16 x $1\frac{1}{4}$	1
3	920083	Lockwasher $\frac{3}{8}$	1
4	7434	Flat Idler Pulley	2
5	106072	Pulley	3
6	102704	Spacer	1
7	915113	Eslok Nut $\frac{3}{8}$ -16	4
8	106157	Spring	1
9	2844	Special Washer	5
10	106389	Idler Support Bar	1
11	106121	Spacer/Bushing	2
12	908037	Bolt $\frac{3}{8}$ -16 x $1\frac{3}{4}$	2
13	908035	Bolt $\frac{3}{8}$ -16 x $1\frac{1}{4}$	1
14	915640	E. S. Nut $\frac{3}{4}$ -16	3
15	908032	Bolt $\frac{3}{8}$ -16 x $\frac{3}{4}$	12
16	106062	Spindle Assembly	3
17	106075	Seal — Double Lip	1
18	106070	Spacer/Seal	1
19	106085	Ball Bearing (Non Sealed)	1
20	106063	Spindle Housing	1
21	106064	Spindle Shaft	1
22	4459	Grease Fitting	3
23	937156	Hi-Pro Key $\frac{3}{16}$ x $\frac{5}{8}$	3
24	106069	Spacer	1
25	106084	Ball Bearing (Sealed)	1
26	936028	Internal Snap Ring	1
27	106068	Blade Spacer	1
28	106067	Spindle Cup	1
29	920015	Washer $\frac{3}{4}$ SAE	6
* 30	106635	Mower Blade Kit	1
31	915007	Nut $\frac{3}{4}$ -16	3
32	104176	Drive Bearing Housing	1
33	106388	Integral Shaft Bearing $\frac{5}{8}$	1
34	936021	Snap Ring	1
35	106524	Upper Pulley	1
36	105465	Lower Pulley	1
37	937089	Woodruff Key #9	2
38	909862	Set Screw $\frac{5}{16}$ -18 x $\frac{5}{16}$	4
39	926715	S. T. Bolt $\frac{3}{8}$ -16 x $\frac{3}{4}$ (Swage Form)	2
40	106523	Drive Belt	1

21 107446 = 107998 use. 90 Al maxien.

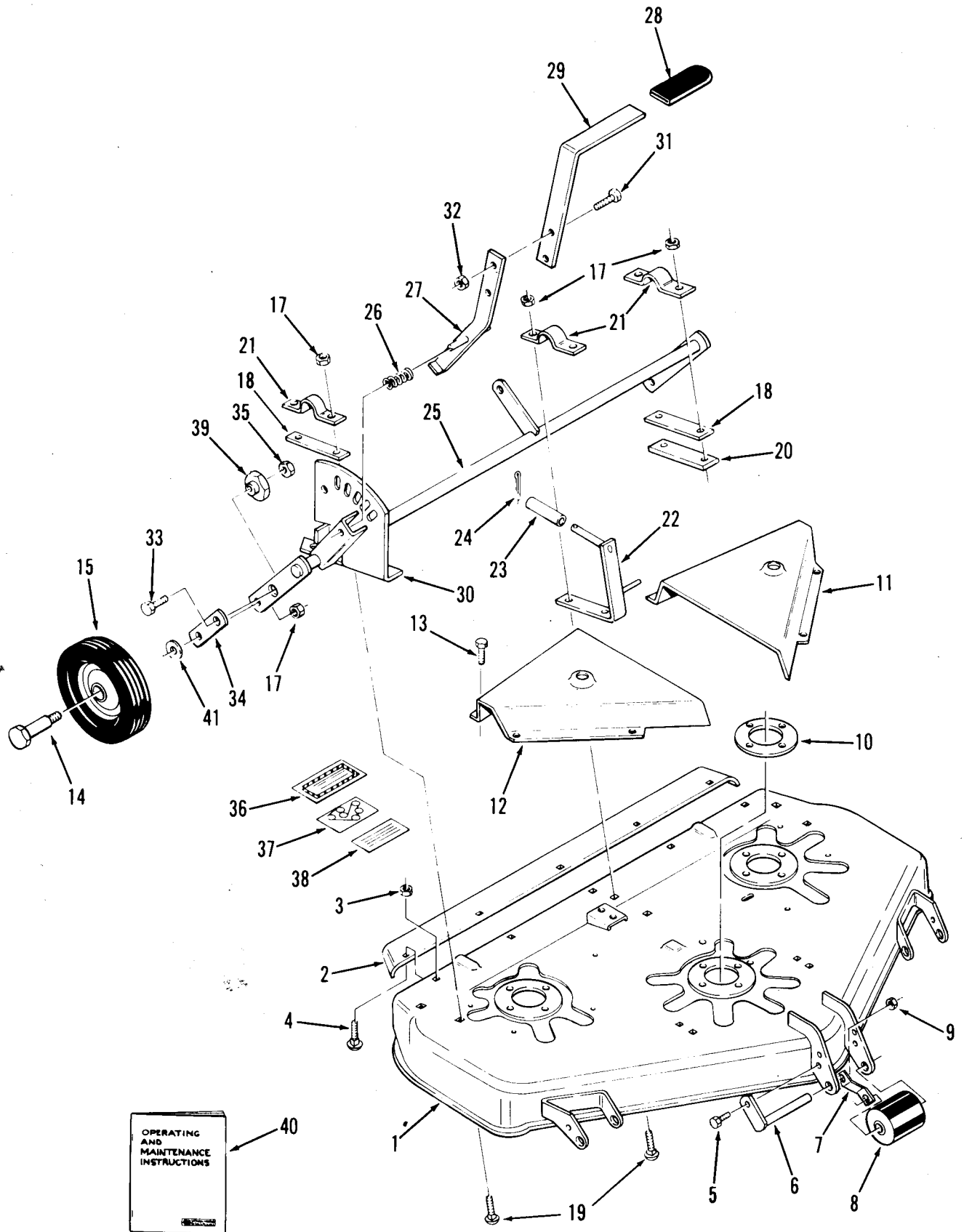
**REAR AND SIDE DISCHARGE MOWERS — 36 in. (92 cm)
VEHICLE IDENTIFICATION NUMBERS 05-36XR01, 05-36XS01**

Parts available only through Authorized Dealers.
When ordering parts always list Part No. and Description.
(Specifications subject to change without notice.)

ITEM NO.	PART NO.	DESCRIPTION	NO. REQ'D.
1	106751	Spindle Belt	1
2	105865	Bolt $\frac{3}{8}$ -16 x $1\frac{1}{4}$ Short Head	1
3	920083	Lockwasher $\frac{3}{8}$	1
4	7434	Flat Idler Pulley	2
5	106072	Pulley	3
6	102704	Spacer	1
7	915113	Nut $\frac{3}{8}$ -16	1
8	100071	Spring	1
9	2844	Special Washer	5
10	105860	Idler Support Bar	1
11	107674	Spacer/Bushing	2
12	908037	Bolt $\frac{3}{8}$ -16 x $1\frac{3}{4}$	2
13	908035	Bolt $\frac{3}{8}$ -16 x $1\frac{1}{4}$	1
14	915640	E. S. Nut $\frac{3}{4}$ -16	3
15	908032	Eslak Bolt $\frac{3}{8}$ -16 x $\frac{3}{4}$	12
16	*108470	Spindle Assembly	3
17	106075	Seal — Double Lip	1
18	106070	Spacer/Seal	1
19	106085	Ball Bearing (Non Sealed)	1
20	107448	Spindle Housing	1
21	108610	Spindle Shaft	1
22	4459	Grease Fitting	3
23	937156	Hi-Pro Key $\frac{3}{16}$ x $\frac{5}{8}$	3
24	107445	Spacer	1
25	106084	Ball Bearing (Sealed)	1
26	936028	Internal Snap Ring	1
27	106068	Blade Spacer	1
28	106067	Spindle Cup	1
29	920258	Special Washer $1\frac{1}{2}$ in. O.D.	6
30	107983	Mower Blade Kit	1
31	915090	Jam Nut $\frac{3}{4}$ -16	3
32	104176	Drive Bearing Housing	1
33	106388	Integral Shaft Bearing $\frac{5}{8}$	1
34	936021	Snap Ring	1
35	106524	Upper Pulley	1
36	105465	Lower Pulley	1
37	937089	Woodruff Key #9	2
38	909862	Set Screw $\frac{5}{16}$ -18 x $\frac{5}{16}$	4
39	926715	S. T. Bolt $\frac{3}{8}$ -16 x $\frac{3}{4}$ (Swage Form)	2
40	106533	Drive Belt	1
41	107675	Special Washer	2
42	915663	E. S. Nut $\frac{3}{8}$ -16	3
43	920258	Special Washer $1\frac{1}{2}$ in. O.D.	3
44	920257	Special Washer $1\frac{1}{4}$ in. O.D.	3
45	107446	Spindle Shaft	1

* Alternate Construction Spindle Assembly is 107444

**REAR DISCHARGE MOWER — 42 in. (107 cm)
 VEHICLE IDENTIFICATION NUMBER 05-42XR01**



**REAR DISCHARGE MOWER — 42 in. (107 cm)
VEHICLE IDENTIFICATION NUMBER 05-42XR01**

Parts available only through Authorized Dealers.
When ordering parts always list Part No. and Description.
(Specifications subject to change without notice.)

ITEM NO.	PART NO.	DESCRIPTION	NO. REQ'D.
1	107410	Mower Deck Assembly	1
2	106789	Rear Chute Extension	1
3	915112	Nut $\frac{5}{16}$ -18	5
4	900036	Carriage Bolt $\frac{5}{16}$ -18 x $\frac{5}{8}$	5
5	908002	Bolt $\frac{1}{4}$ -20 x $\frac{5}{8}$	3
6	102770	Roller Shaft	3
7	102773	Roller Stop Spring	3
8	5240	Roller (w/100284 Bushings)	3
9	915111	Esllok Nut $\frac{1}{4}$ -20	3
10	106117	Spindle Plate (Center Spindle Only)	1
11	106638	L. H. Belt Cover	1
12	106409	R. H. Belt Cover	1
13	926671	Bolt $\frac{1}{4}$ -20 x $\frac{1}{2}$ Swage Form	8
14	5188	Shoulder Bolt	2
15	108522	Wheel 6 x 1.75 (w/5306 Bushings)	2
17	915113	Esllok Nut $\frac{3}{8}$ -16	8
18	106468	Strap $\frac{1}{16}$	2
19	900063	Carriage Bolt $\frac{3}{8}$ -16 x 1	6
20	106377	Strap $\frac{3}{16}$	1
21	106378	Clamp	3
22	106372	Bracket Guide	1
23	106383	Spacer	1
24	932017	Cotter Pin $\frac{1}{8}$ x 1	1
25	107431	Gage Wheel Support	1
26	101853	Spring	1
27	106483	Lever	1
28	102597	Grip	1
29	106380	Extension Handle	1
30	106392	Quadrant	1
31	908003	Bolt $\frac{1}{4}$ -20 x $\frac{3}{4}$	2
32	915111	Esllok Nut $\frac{1}{4}$ -20	2
33	908019	Bolt $\frac{5}{16}$ -18 x 1	2
34	106464	Wheel Plate	2
35	915112	Esllok Nut $\frac{5}{16}$ -18	2
36	105206	Caution Decal	2
37	106749	Decal, Height Adj. & Belt Diagram	1
38	106746	Decal, Mower Guard	1
39	101387	Steering Cam	2
40	810158R1	Operating and Maintenance Instructions	1
41	920211	Special Washer	2

REAR DISCHARGE MOWER — 42 in. (107 cm)

VEHICLE IDENTIFICATION NUMBER 05-42XR01

Parts available only through Authorized Dealers.
When ordering parts always list Part No. and Description.
(Specifications subject to change without notice.)

ITEM NO.	PART NO.	DESCRIPTION	NO. REQ'D.
1	106516	Spindle Belt	1
2	105865	Bolt $\frac{3}{8}$ -16 x $1\frac{1}{4}$ Short Head	1
3	920083	Lockwasher $\frac{3}{8}$	1
4	7434	Flat Idler Pulley	2
5	106072	Pulley	3
6	102704	Spacer	1
7	915113	Eslok Nut $\frac{3}{8}$ -16	1
8	106517	Spring	1
9	2844	Special Washer	4
10	106389	Idler Support Bar	1
11	107674	Spacer/Bushing	2
12	908037	Bolt $\frac{3}{8}$ -16 x $1\frac{3}{4}$	2
13	908035	Bolt $\frac{3}{8}$ -16 x $1\frac{1}{4}$	1
14	915640	E. S. Nut $\frac{3}{4}$ -16	3
15	908032	Bolt $\frac{3}{8}$ -16 x $\frac{3}{4}$	12
16	107405	Spindle Assembly	3
17	106075	Seal — Double Lip	1
18	106070	Spacer/Seal	1
19	106085	Ball Bearing (Non Sealed)	1
20	106063	Spindle Housing	1
21	107413	Spindle Shaft	1
22	4459	Grease Fitting	3
23	937156	Hi-Pro Key $\frac{3}{16}$ x $\frac{5}{8}$	3
24	106069	Spacer	1
25	106084	Ball Bearing (Sealed)	1
26	936028	Internal Snap Ring	1
27	106068	Blade Spacer	1
28	106067	Spindle Cup	1
29	920258	Special Washer	6
30	106635	Mower Blade Kit	1
31	915090	Jam Nut $\frac{3}{4}$ -16	3
32	104176	Drive Bearing Housing	1
33	106388	Integral Shaft Bearing $\frac{5}{8}$	1
34	936021	Snap Ring	1
35	106524	Upper Pulley	1
36	105465	Lower Pulley	1
37	937089	Woodruff Key #9	2
38	909862	Set Screw $\frac{3}{16}$ -18 x $\frac{5}{16}$	4
39	926715	S. T. Bolt $\frac{3}{8}$ -16 x $\frac{3}{4}$ (Swage Form)	2
40	106523	Drive Belt	1
41	107675	Special Washer	2
42	915663	E. S. Nut $\frac{3}{8}$ -16	3

Product information and specifications are shown herein as of the time of printing. Wheel Horse Products, Inc. reserves the right to change product specifications, designs and standard equipment without notice and without incurring obligation.



WHEEL HORSE
lawn & garden tractors